

 **Dometic** **SPOTZERO**

**INSTALLATION AND OPERATION MANUAL**  
**SZ 2000 - SZ 3000**

 Dometic

SPOTZERO®

# TABLE OF CONTENTS

## SZ 2000 - SZ 3000

<b>INTRODUCTION</b> .....	<b>5</b>
SYSTEM REQUIREMENTS & OPERATIONS GUIDELINES.....	<b>5</b>
PLUMBING.....	<b>5</b>
ELECTRICAL.....	<b>5</b>
PRE-FILTRATION.....	<b>5</b>
<b>INSTALLATION</b> .....	<b>5</b>
INSTALL TIPS.....	<b>5</b>
SPOT ZERO WIRING.....	<b>7</b>
<b>STARTUP</b> .....	<b>8</b>
<b>NORMAL OPERATION &amp; MAINTENANCE</b> .....	<b>8</b>
PRE-FILTER PRESSURE GAUGES.....	<b>8</b>
PRODUCT FLOW METER & CONCENTRATE FLOW METER.....	<b>8</b>
RECYCLE VALVE.....	<b>8</b>
STARTUP.....	<b>8</b>
MEMBRANE TEMPERATURE CORRECTION FACTOR.....	<b>9</b>
MEMBRANE PERFORMANCE INSTRUCTIONS.....	<b>10</b>
MEMBRANE CHEMICAL CLEANING PROCEDURE.....	<b>10</b>
MEMBRANE REMOVAL & REPLACEMENT.....	<b>10</b>
MEMBRANE IDENTIFICATION.....	<b>11</b>
WEEKLY MAINTENANCE.....	<b>11</b>
OPERATION DO'S AND DO NOT'S.....	<b>11</b>
SPOT ZERO UNIT AND SPARE PARTS.....	<b>12</b>
REVERSE OSMOSIS TROUBLESHOOTING.....	<b>16</b>
<b>MEMBRANE ELEMENT ION REJECTION RATES</b> .....	<b>16</b>
<b>MEMBRANE TEMPERATURE CORRECTION FACTOR</b> .....	<b>17</b>
<b>SPOT ZERO FRESH WATER 120/220VAC SYSTEM</b> .....	<b>18</b>
<b>WATER FILTRATION RANGE &amp; SIZING TABLE</b> .....	<b>19</b>

## RO Controller

<b>INTRODUCTION</b> .....	<b>21</b>
SPECIFICATIONS.....	<b>21</b>
FRONT PANEL CONTROLS AND INDICATORS.....	<b>21</b>
INSTALLATION.....	<b>21</b>
PHYSICAL INSTALLATION.....	<b>22</b>
TERMINAL STRIP, JUMPER AND ADJUSTMENT LOCATIONS.....	<b>22</b>
POWER WIRING.....	<b>22</b>
PUMP AND VALVE RELAY OUTPUTS.....	<b>22</b>
RO PUMP WIRING.....	<b>22</b>
SAMPLE WIRING.....	<b>22</b>
<b>STANDARD SETPOINTS</b> .....	<b>23</b>
DISPLAYING OR CHANGING SETPOINTS.....	<b>23</b>
SYSTEM OPERATION.....	<b>23</b>
GENERAL OPERATION.....	<b>23</b>
DISPLAY.....	<b>23</b>
OPERATING STATUS MESSAGES.....	<b>23</b>
TDS/CONDUCTIVITY.....	<b>23</b>
OPERATING HOURS.....	<b>23</b>
TEMPERATURE.....	<b>23</b>
WARNING MESSAGES.....	<b>24</b>
TANK FULL OPERATION.....	<b>24</b>
TANK FULL RESTART.....	<b>24</b>
TANK FULL OVERRIDE.....	<b>24</b>
PRESSURE FAULT.....	<b>24</b>
AUTO RESET.....	<b>24</b>

# TABLE OF CONTENTS

ALARM SILENCE .....	24
PRETREAT .....	24
HIGH TDS / CONDUCTIVITY WARNING/ALARM .....	24
ADJUSTMENTS .....	24
TDS / CONDUCTIVITY CALIBRATION .....	24
DISPLAY ADJUSTMENT .....	24
TROUBLESHOOTING .....	24
SYSTEM INOPERATIVE .....	24
DISPLAY BLANK .....	24
INLET VALVE WILL NOT OPERATE .....	24
RO PUMP WILL NOT OPERATE .....	24
NO OR INCORRECT TDS / CONDUCTIVITY READING .....	24
<b>OWNER'S LIMITED WARRANTY .....</b>	<b>25</b>
SECTION ONE .....	25
SECTION TWO .....	25
SECTION THREE.....	25
SECTION FOUR.....	25
TABLE OF LIMITED WARRANTY PERIODS .....	26
WATER PURIFICATION PRODUCTS .....	26
PUMPS, ACCESSORIES, REPLACEMENT PARTS .....	26



# INTRODUCTION

Your Spot Zero™ reverse osmosis system is a durable piece of equipment which, with proper care, will last for many years. This User's Manual outlines installation, operation, maintenance and troubleshooting details vital to the sustained performance of your system. Your system is designed to operate at a pressure of 80- 150 psi, unless otherwise stated. The recovery set for your system is between 50%-75%.

**NOTE:** Prior to operating or servicing the Spot Zero™ reverse osmosis system, this User's Manual must be read and fully understood. Keep it and other associated information for future reference and for new operators or qualified personnel near the system.

**CAUTION:** Do not supply dock water to unattended vessel.

## SYSTEM REQUIREMENTS & OPERATION GUIDELINES

### PLUMBING

The membranes and high pressure pumps used on Spot Zero™ systems require a continuous and non-turbulent flow of water to the system with a minimum feed pressure of 20 psi during operation, which does not exceed 105°F.

The tubing or piping used for the inlet of the feed water is 1/2" NPT. The tubing or piping used for the discharge of the concentrate is 3/8" O.D. and should be run to an open over board in a free and unrestricted manner.

The tubing or piping used for the product is 3/8" O.D. and can be transported to the holding tank or directly through a high quality nylon tubing or PVC pipe or other FDA accepted materials. Material must not precipitate in the system. Be certain that all of the components of the feed water are soluble at the concentrations attained in the system.

**CAUTION:** Any restrictions or blockage in the overboard discharge line can cause back pressure, which will increase the system's operating pressure. This can result in damage to the system's components and possible leaks of components or tubing.

### ELECTRICAL

The motors used on Spot Zero™ systems are pump and motor combinations. They are available in single-phase 115 volt or 230 volt AC. Please ensure that the electrical circuit supplying the system is compatible with the requirements of the specific Spot Zero™ model.

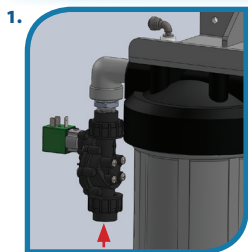
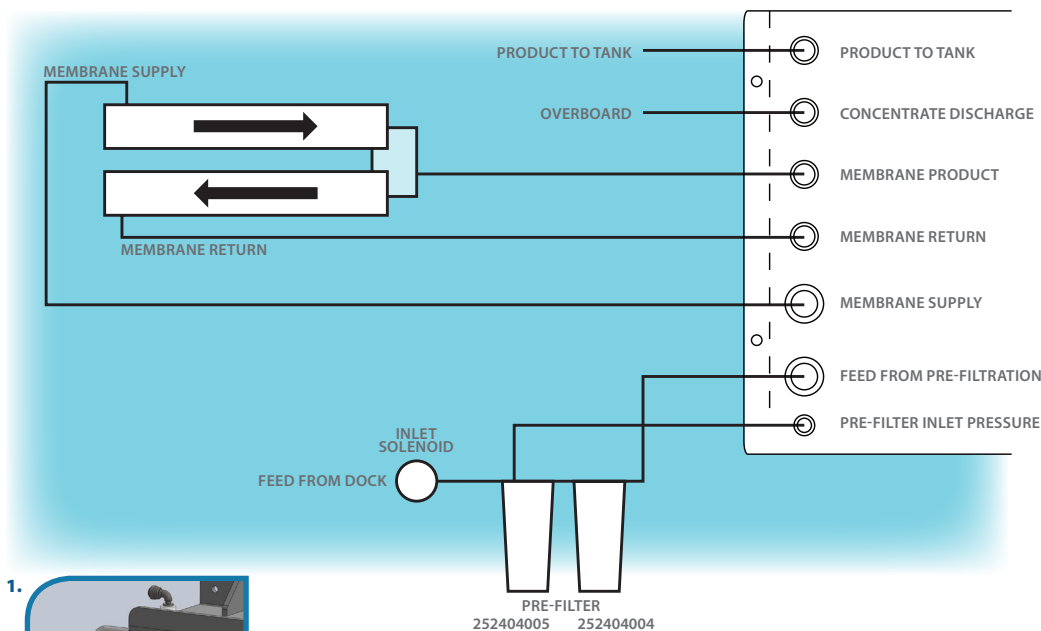
### PRE-FILTRATION

Spot Zero™ systems are supplied with a sediment pre-filter (part # 252404005) that filters out most particles over 1 microns, a GAC/KDF (part # 252404004) Cartridge that removes chlorine, chloramine, VOCs and heavy metals. **CAUTION: a traditional carbon block filter must not be used as it will not remove chloramines and will cause permanent membrane damage.** Pre Filters should be changed every 100 hours and/or whenever there is a pressure difference of 15 psi or more between the pressure readings before and after the filter. The pump must NEVER be run dry. Operating the pump without sufficient feed water will damage the pump. ALWAYS feed the pump with filtered water. The pump is susceptible to damage from sediment and debris.

**NOTE: THE 252404004 CARTRIDGE MUST BE FLUSHED OUTSIDE OF SYSTEM BEFORE OPERATING TO REMOVE CARBON DUST.** The system must be operated on filtered water only. Do not attempt to clean used filter cartridges. The 252404004 is rated to absorb chlorine, chloramine, heavy metals, etc. up to 18,000 gallons of feed water which is the equivalent to approximately 100 hours of run time. **CAUTION:** If the pre-filter becomes clogged and the water flow to the pump is reduced or interrupted, cavitation will occur. This will damage the pump.



# INSTALLATION

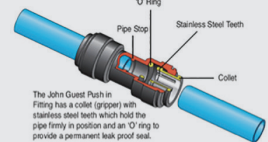


1. Attach a dedicated dock water inlet fixture to a convenient location outside of vessel to supply the 1/2" or 3/4" FNPT pre-filter feed water inlet solenoid valve located on the inlet of pre-filter housings. 3/4" hose or 22mm tubing is recommended to supply inlet solenoid from dedicated inlet fixture.

CONTINUED

## INSTALLATION TIPS

### EASY TO MAKE A CONNECTION



The John Guest Push In Fitting has a collet (gripper) with stainless steel teeth which hold the pipe firmly in position and an O'ring to provide a permanent leak proof seal.

### THREE EASY STEPS

Fittings and pipe should be kept clean and undamaged before use.

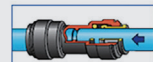
**Cut the pipe square.** We recommend the use of the JG Pipe Cutter.



**DO NOT** use a hacksaw. To avoid damage to the O'ring remove burrs and sharp edges.



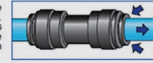
**Push up to pipe stop.**



**Pull to check secure.** Test the system before use.



**To disconnect,** ensure the system is depressurized. Push the collet towards the fitting and remove the pipe. The fitting can be reused.



# INSTALLATION

CONTINUED FROM PREVIOUS PAGE

2. Attach 1/4" Nylon Spot Zero tubing from "Pre-Filter Inlet Pressure" port on pre-filter housing to "Pre-Filter Inlet Pressure" on Spot Zero Panel.
3. Attach 1/2" Nylon Spot Zero tubing from outlet of pre-filter housing to "Feed From Pre-Filtration" on Spot Zero panel.
4. Attach 1/2" Nylon Spot Zero tubing from the Spot Zero panel "Membrane Supply" to the "Membrane Supply" fitting on membranes.
5. Attach 1/2" Nylon Spot Zero tubing from the "Membrane Return" on membrane fitting to "Membrane Return" on Spot Zero panel.
6. Attach 3/8" Nylon Spot Zero tubing from the "Membrane Product" on membranes to "Membrane Product" on Spot Zero Panel.

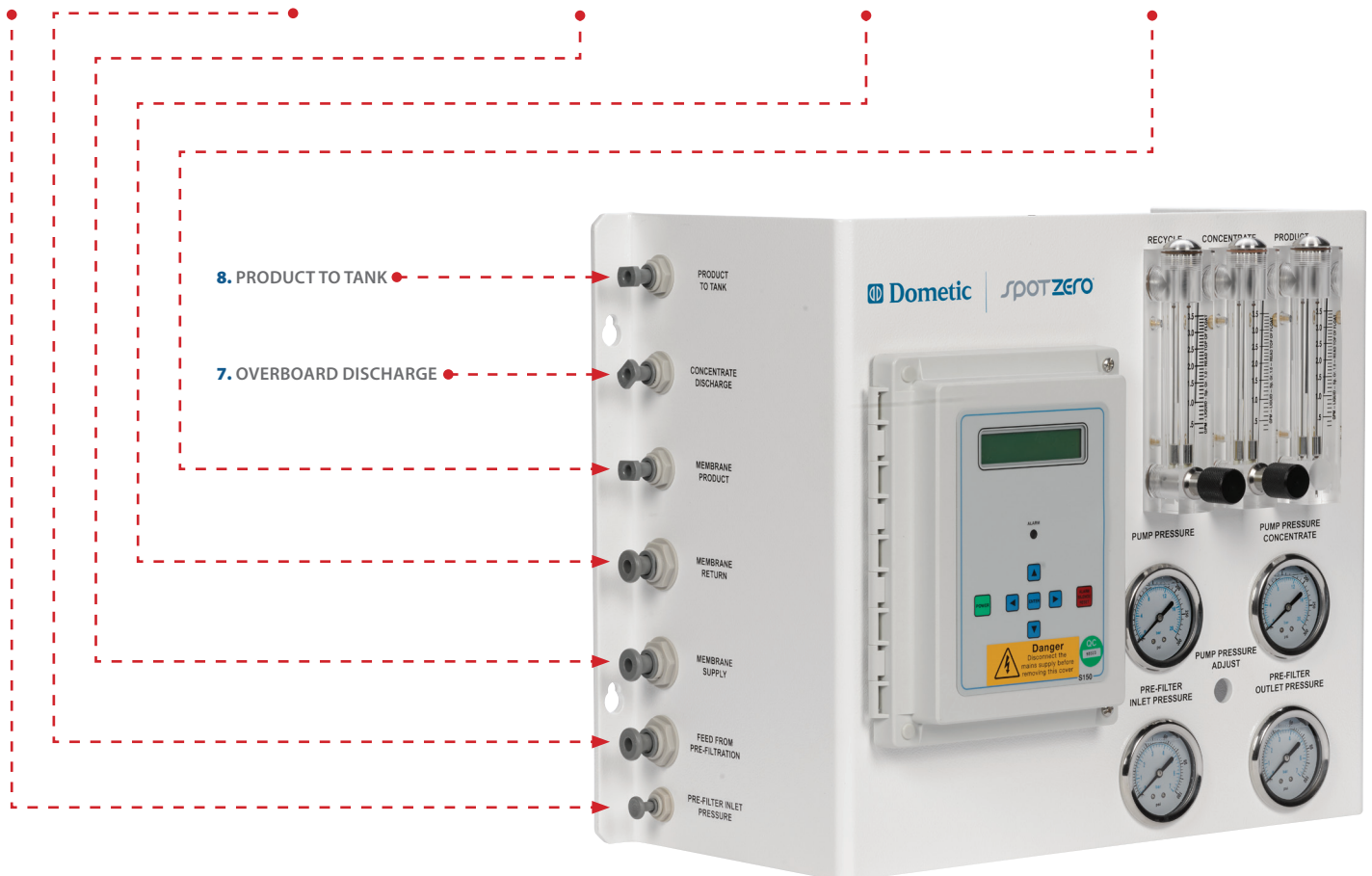
7. Attach 3/8" Nylon Spot Zero tubing from the "Concentrate Discharge" on Spot Zero panel and attach the over board line to the concentrate outlet. Water must be allowed to run freely, without any restrictions or blockage in the line. Make sure that no back pressure exists on the concentrate line.

**NOTE:** There is an internal check valve in the concentrate line in the system.

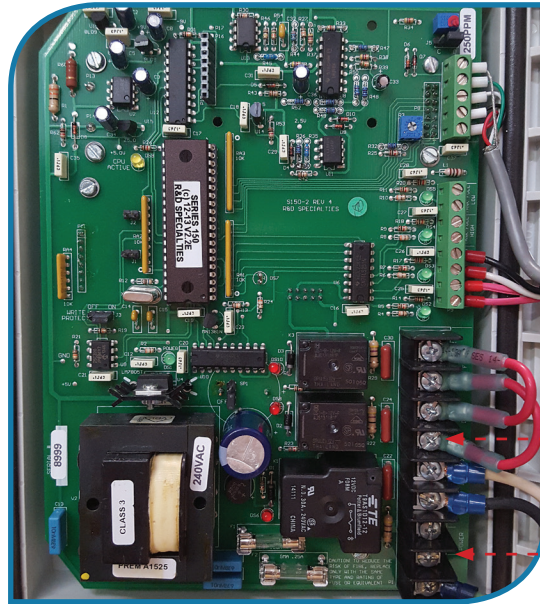
8. Attach 3/8" Nylon Spot Zero tubing from the "Product to Tank" on Spot Zero panel and supply to vessels fresh water tank. Water must be allowed to run freely, without any restrictions or blockage in the line. Make sure that no back pressure exists on the concentrate line.

**NOTE:** There is an internal check valve in the product line in the system.

**NOTE:** An optional bacteriostatic remineralizer housing and cartridge may be installed in series with "product to tank" if low ph feed water is anticipated, copper plumbing is used in vessels fresh water system and also should be used upstream of and when a silver ionizer is used for residual sterilization.



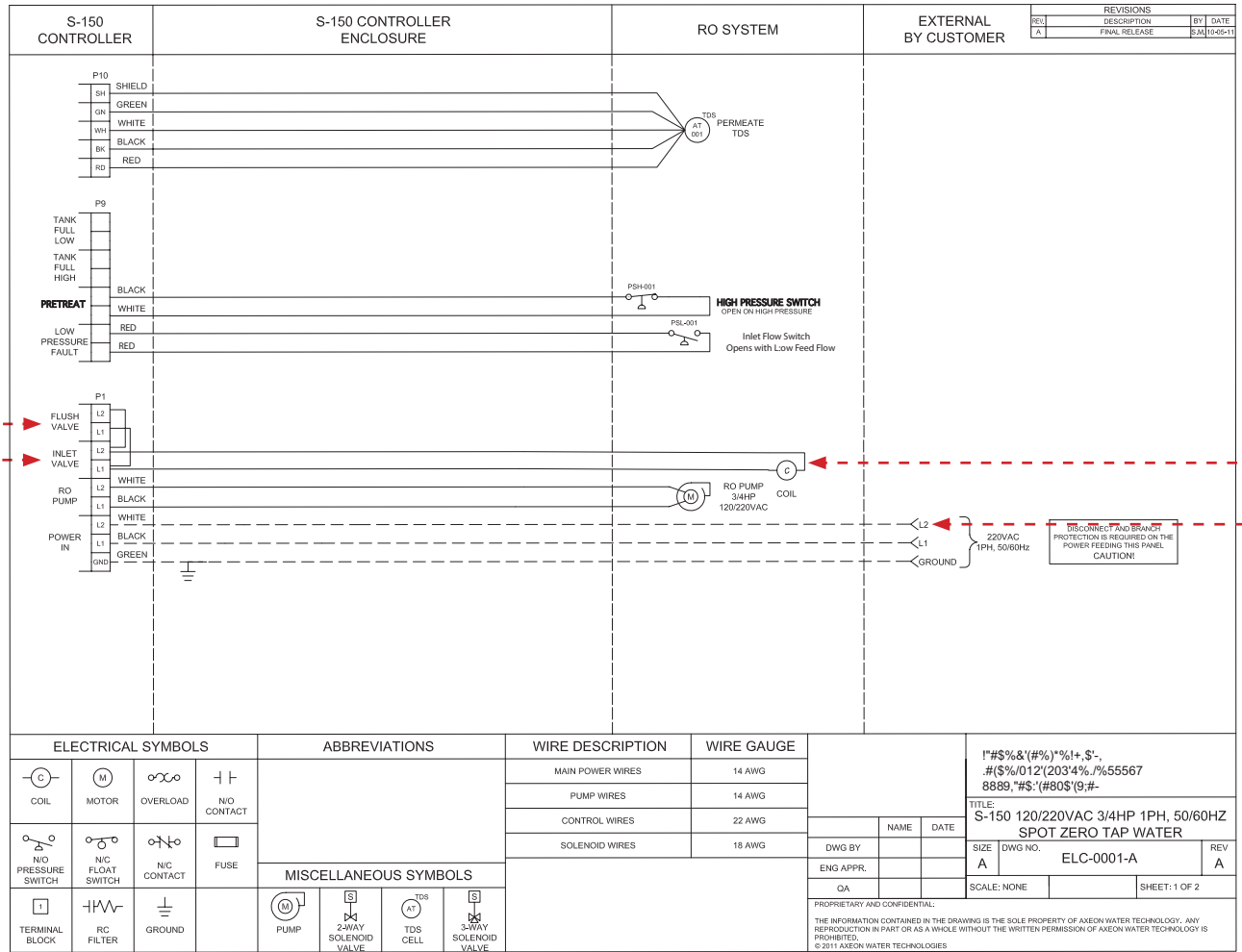
- Supply and connect specified power (115v or 230v) from panel to Spot Zero panel and connect to L1 and L2 of PC board. **Be sure to confirm systems rated voltage before applying power. Use 12 gauge wire and 20 amp breaker.**
- Supply and connect inlet solenoid valve to "Inlet" terminals of PC board. \*20 amp breaker is recommended.



10.

9.

\*Leave jumpers in place.



# STARTUP

## SYSTEM PURGING (initial startup)

**NOTE:** LEAVE THE POWER TO THE SYSTEM OFF FOR THIS PROCEDURE.

1. Install 252404005 in first filter housing.
2. Flush the provided 252404004 Filter Cartridge, then install into the second housing. The housing is outside of the system to prevent carbon dust from fouling system membranes.
3. Fully open the concentrate valve (Counter Clockwise).  
\* If your valve is not shown, turn to page 15 for reference.
4. Fully close the recycle valve (Clockwise).  
\* If your valve is not shown, turn to page 15 for reference.
5. Offset inlet solenoid bypass valve. ●
6. Turn the feed water on and let the system purge until no visible bubbles appear from concentrate flow meter.
7. Restore inlet solenoid valve to normal operating position and refer to operating instructions on next page. ●



# NORMAL OPERATION & MAINTENANCE

## PRE-FILTER PRESSURE GAUGES

These gauges measure the feed water pressure when it enters and exits the pre-filter housing. A pressure differential of 15 psi or more on the two pressure readings indicates that the pre-filter needs to be replaced. For example, if the inlet pressure is 40 psi the filter should be changed when the outlet pressure is 25 psi or below.

**NOTE:** Filters must be changed every 100 hours to prevent chlorine and/or chloramine damage to membrane/s.

## PRODUCT FLOW METER & CONCENTRATE FLOW METER

These flow meters indicate the flow rates of product and concentrate water. The measurements, when added together, also indicate the feed water flow rate.

## RECYCLE VALVE

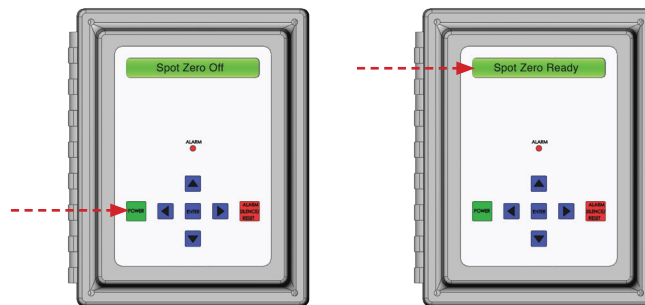
This valve allows you to recycle a portion of the concentrate water back to the feed of the pump. This will increase the recovery of the Spot Zero™ system.

## STARTUP

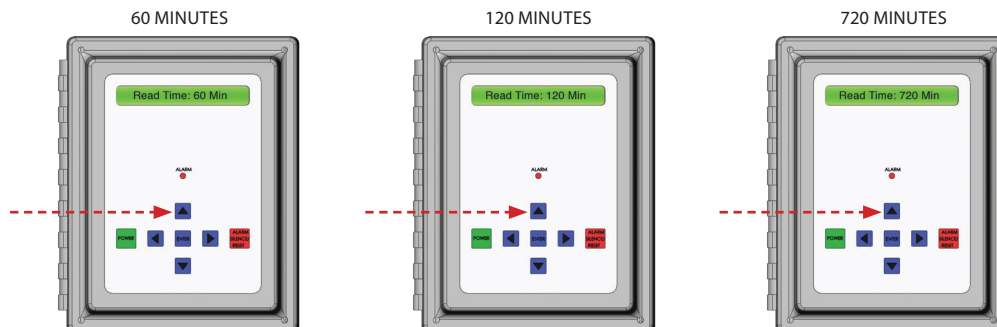
1. Supply system with a dedicated pressurized municipal fresh water supply.
2. When powered up, press the green power button until "Spot Zero Ready" is shown.

## AUTO FLUSH OPTIONS

\*With Spot Zero off, press and hold the red button for 10 seconds.



3. Press the up arrow one time for each 60 minutes of run time desired up to 12 hours of total run time. System will automatically shut down after timer setting terminates.  
(**CAUTION:** Systems with Spot Zero Double Pass™ feature should not use the use of the timer function.)

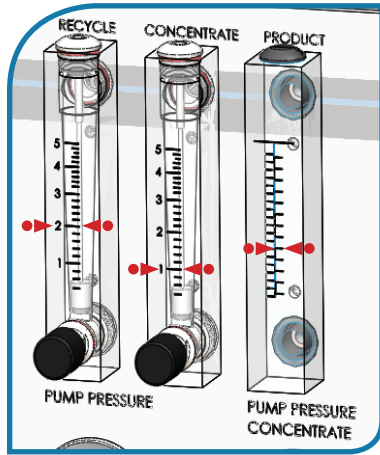




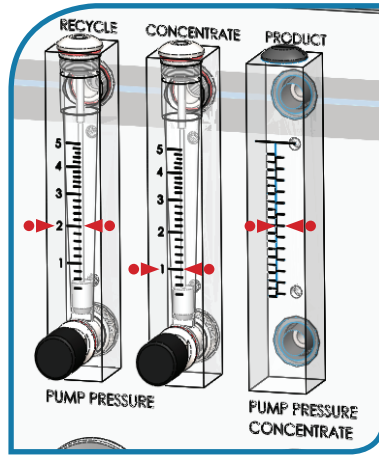
# NORMAL OPERATION & MAINTENANCE

The pump pressure adjustment may be adjusted to reduce or increase flow rates to achieve settings below if necessary. Pump pressure adjustment screw is located between pre filter inlet and outlet pressure gauges on Spot Zero panel and can be adjusted with a #2 flat screwdriver in the location shown below.

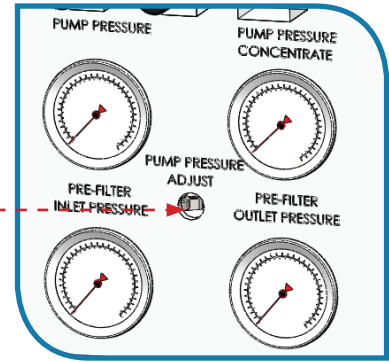
**NOTE:** The product flow rate will decrease as the feed water temperature decreases. Please see below membrane temperature correction factor chart and examples.



For Spot Zero 2000 (SZ 2000)- Set concentrate and recycle valves to produce specified flow rates of **2 GPM** of recycle, **1 GPM** of concentrate flow, **1.38 GPM** of product @ 77 Degrees F (25 Degrees C).

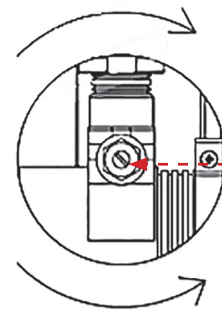


For Spot Zero 3000 (SZ 3000)- Set concentrate and recycle valves to produce specified flow rates of **2 GPM** of recycle, **1 GPM** of concentrate flow, **2.0 GPM** of product @ 77Degrees F (25 Degrees C).



**WARNING:** Never exceed the maximum pump pressure (175psi), or production rating of your membrane system, this will prevent premature fouling of the reverse osmosis membrane.

INCREASE FLOW/PRESSURE



DECREASE FLOW PRESSURE

**Corrected Flow Rate = (measured flow rate) x TCF**  
(temperature correction factor @ feed water temperature)

**EXAMPLE # 1**

A Spot Zero 2000 (SZ 2000) is producing 1 GPM of product @ 60 Degrees F  
1 GPM x 1.371 TCF = 1.371 GPM of Corrected Flow Rate.  
(system operating properly, SZ 2000 rated to produce 1.38 GPM)

**EXAMPLE # 2**

Spot Zero 3000 (SZ 3000) is producing 1.25 GPM @ 50 Degrees F  
1.2 GPM x 1.7 TCF = 2.04 GPM of Corrected Flow Rate.  
(system operating properly, SZ 3000 rated to produce 2.0 GPM)

**EXAMPLE # 3**

Spot Zero 2000 (SZ 2000) is producing 0.9 GPM @ 77 Degrees F  
0.9GPM x 1.0TCF = 0.9 GPM of Corrected Flow Rate  
(system is not producing water properly, increase pump pressure or cleaning of membrane/s may be required)

Temperature °F (°C)	Temperature Correction Factor	Temperature °F (°C)	Temperature Correction Factor	Temperature °F (°C)	Temperature Correction Factor	Temperature °F (°C)	Temperature Correction Factor	Temperature °F (°C)	Temperature Correction Factor
50.0 (10.0)	1.711	57.2 (14.0)	1.475	64.4 (18.0)	1.276	71.6 (22.0)	1.109	78.8 (26.0)	0.971
50.2 (10.1)	1.705	57.4 (14.1)	1.469	64.6 (18.1)	1.272	71.8 (22.1)	1.105	79.0 (26.1)	0.968
50.4 (10.2)	1.698	57.6 (14.2)	1.464	64.8 (18.2)	1.267	72.0 (22.2)	1.101	79.2 (26.2)	0.965
50.5 (10.3)	1.692	57.7 (14.3)	1.459	64.9 (18.3)	1.262	72.1 (22.3)	1.097	79.3 (26.3)	0.962
50.7 (10.4)	1.686	57.9 (14.4)	1.453	65.1 (18.4)	1.258	72.3 (22.4)	1.093	79.5 (26.4)	0.959
50.9 (10.5)	1.679	58.1 (14.5)	1.448	65.3 (18.5)	1.254	72.5 (22.5)	1.090	79.7 (26.5)	0.957
51.1 (10.6)	1.673	58.3 (14.6)	1.443	65.5 (18.6)	1.249	72.7 (22.6)	1.086	79.9 (26.6)	0.954
51.3 (10.7)	1.667	58.5 (14.7)	1.437	65.7 (18.7)	1.245	72.9 (22.7)	1.082	80.1 (26.7)	0.951
51.4 (10.8)	1.660	58.6 (14.8)	1.432	65.8 (18.8)	1.240	73.0 (22.8)	1.078	80.2 (26.8)	0.948
51.6 (10.9)	1.654	58.8 (14.9)	1.427	66.0 (18.9)	1.236	73.2 (22.9)	1.075	80.4 (26.9)	0.945
51.8 (11.0)	1.648	59.0 (15.0)	1.422	66.2 (19.0)	1.232	73.4 (23.0)	1.071	80.6 (27.0)	0.943
52.0 (11.1)	1.642	59.2 (15.1)	1.417	66.4 (19.1)	1.227	73.6 (23.1)	1.067	80.8 (27.1)	0.940
52.2 (11.2)	1.636	59.4 (15.2)	1.411	66.6 (19.2)	1.223	73.8 (23.2)	1.064	81.0 (27.2)	0.937
52.3 (11.3)	1.630	59.5 (15.3)	1.406	66.7 (19.3)	1.219	73.9 (23.3)	1.060	81.1 (27.3)	0.934
52.5 (11.4)	1.624	59.7 (15.4)	1.401	66.9 (19.4)	1.214	74.1 (23.4)	1.056	81.3 (27.4)	0.932
52.7 (11.5)	1.618	59.9 (15.5)	1.396	67.1 (19.5)	1.210	74.3 (23.5)	1.053	81.5 (27.5)	0.929
52.9 (11.6)	1.611	60.1 (15.6)	1.391	67.3 (19.6)	1.206	74.5 (23.6)	1.049	81.7 (27.6)	0.926
53.1 (11.7)	1.605	60.3 (15.7)	1.386	67.5 (19.7)	1.201	74.7 (23.7)	1.045	81.9 (27.7)	0.924
53.2 (11.8)	1.600	60.4 (15.8)	1.381	67.6 (19.8)	1.197	74.8 (23.8)	1.042	82.0 (27.8)	0.921
53.4 (11.9)	1.594	60.6 (15.9)	1.376	67.8 (19.9)	1.193	75.0 (23.9)	1.038	82.2 (27.9)	0.918
53.6 (12.0)	1.588	60.8 (16.0)	1.371	68.0 (20.0)	1.189	75.2 (24.0)	1.035	82.4 (28.0)	0.915
53.8 (12.1)	1.582	61.0 (16.1)	1.366	68.2 (20.1)	1.185	75.4 (24.1)	1.031	82.6 (28.1)	0.913
54.0 (12.2)	1.576	61.2 (16.2)	1.361	68.4 (20.2)	1.180	75.6 (24.2)	1.028	82.8 (28.2)	0.910
54.1 (12.3)	1.570	61.3 (16.3)	1.356	68.5 (20.3)	1.176	75.7 (24.3)	1.024	82.9 (28.3)	0.908
54.3 (12.4)	1.564	61.5 (16.4)	1.351	68.7 (20.4)	1.172	75.9 (24.4)	1.021	83.1 (28.4)	0.905
54.5 (12.5)	1.558	61.7 (16.5)	1.347	68.9 (20.5)	1.168	76.1 (24.5)	1.017	83.3 (28.5)	0.902
54.7 (12.6)	1.553	61.9 (16.6)	1.342	69.1 (20.6)	1.164	76.3 (24.6)	1.014	83.5 (28.6)	0.900
54.9 (12.7)	1.547	62.1 (16.7)	1.337	69.3 (20.7)	1.160	76.5 (24.7)	1.010	83.7 (28.7)	0.897
55.0 (12.8)	1.541	62.2 (16.8)	1.332	69.4 (20.8)	1.156	76.6 (24.8)	1.007	83.8 (28.8)	0.894
55.2 (12.9)	1.536	62.4 (16.9)	1.327	69.6 (20.9)	1.152	76.8 (24.9)	1.003	84.0 (28.9)	0.892
55.4 (13.0)	1.530	62.6 (17.0)	1.323	69.8 (21.0)	1.148	77.0 (25.0)	1.000	84.2 (29.0)	0.889

# NORMAL OPERATION & MAINTENANCE

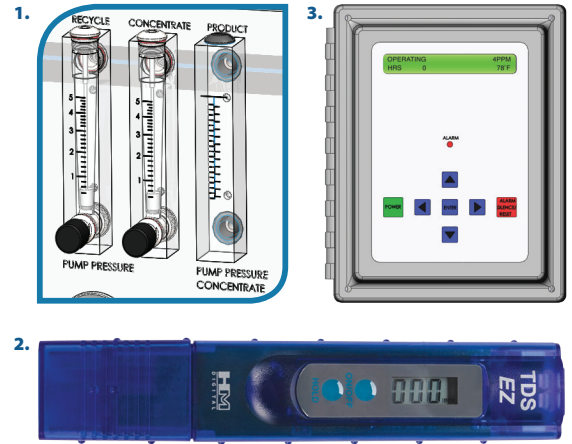
## MEMBRANE PERFORMANCE CHECK INSTRUCTIONS

1. To properly check membrane performance, completely close recycle valve by turning clockwise until no water flow is shown in flow meter. Open concentrate valve completely until 3 GPM or more is shown in Concentrate flow meter.
2. With a handheld TDS meter, record a reading of the dock water feed PPM of TDS.
3. After at least 3 minutes of operation, record a reading of the product water PPM of TDS on the Spot Zero display.
4. **Membrane Rejection** =  $\frac{\text{Feed Water Parts Per Million (PPM) of Total Dissolved Solids (TDS)} - \text{Product Water PPM}}{\text{Feed Water PPM of TDS}}$

**EXAMPLE:** (117 ppm of Feed Water - 4 ppm of Product Water) = 113 ppm / 117 ppm of Feed TDS

$$113\text{ppm}/117\text{ppm} = \mathbf{96.58\% \text{ Rejection}}$$

- NOTE:** Rejection Rates above 94% @ 77 Deg. F indicate acceptable membrane performance.  
**NOTE:** To get best results from the system, change membranes every 1,000 hours. Be aware of an **x10** showing up in the upper right corner of the TDS meter indicating very high ppm water.



## MEMBRANE CHEMICAL CLEANING PROCEDURE

When membrane performance is reduced and is not due to temperature or feed water quality, a chemical cleaning may be required to remove scaling of membrane film.

**NOTE:** Damage to membrane film caused by chlorine or chloramine is irreversible and cannot be corrected by chemical cleaning.

1. Procure as Part # SZ-CCC (Spot Zero Chemical Cleaning Cartridge).
2. Turn System off.
3. Disconnect product to tank and discard any product during cleaning process.
4. Temporarily install SZ-10KDF2 in first housing in place of SZ-45-1001.
5. Insert SZ-CCC in second housing in place of SZ-10KDF2.
6. Open concentrate valve counter clockwise until fully open.
7. Open feed solenoid valve manually via solenoid bypass valve with feed water present for 2 minutes or until concentrate flow meter shows signs of discoloration. Close bypass on feed solenoid valve.
8. Allow membranes to soak for 2 hours. For heavily scaled membranes, soak for 24 hours.
9. After 2-24 hours soak time, re-open bypass on solenoid to allow system to flush for 30 minutes while machine is off.
10. Return SZ-45-1001 filter to first housing and SZ-10KDF2 to second housing and return system to normal operation.

For Spot Zero 2000 (SZ 2000)- Set concentrate and recycle valves to produce specified flow rates of:

2 GPM of recycle, 1 GPM of concentrate flow, 1.38 GPM of product @ 77 Degrees F (25 Degrees C)

For Spot Zero 3000 (SZ 3000)- Set concentrate and recycle valves to produce specified flow rates of:

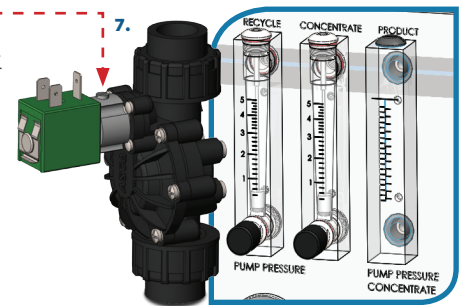
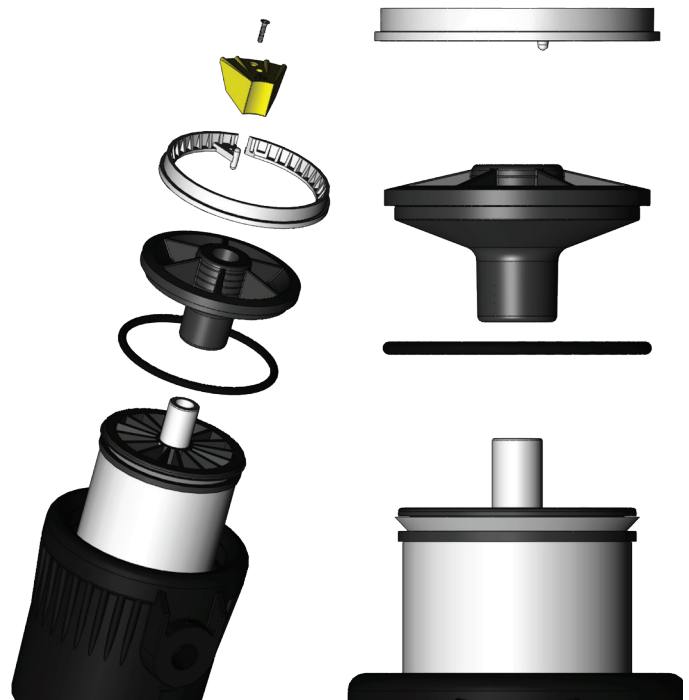
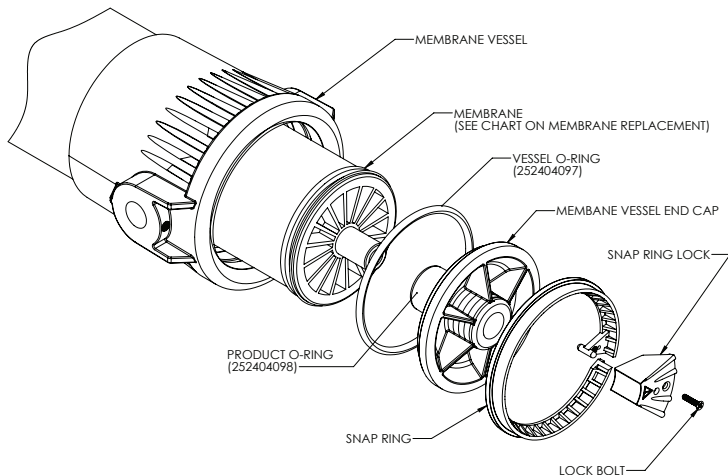
2 GPM of recycle, 1 GPM of concentrate flow, 2.0 GPM of product @ 77Degrees F (25 Degrees C)

### Membrane Removal & Replacement

Changing membranes in pressure vessels is an easy process if you have the proper information and tools at hand. Please refer to the following instructions when removing and replacing membrane elements:

**NOTE:** The system must be off.

1. Locate the inlet end of the pressure vessel, that is opposite the flow direction.
2. Remove the screw from the yellow snap ring lock at the end of the pressure vessel.
3. Remove the white Nylon snap ring from the end cap.
4. Remove the end cap from the pressure vessel.

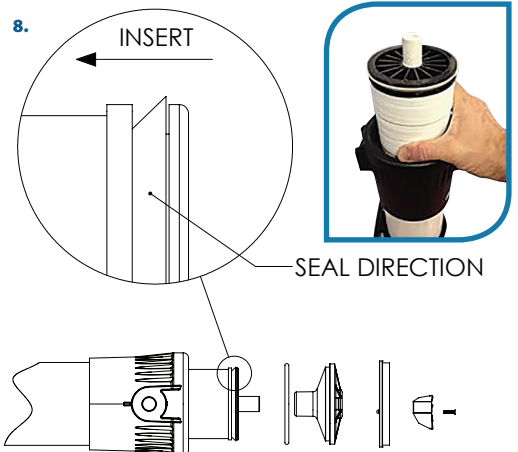
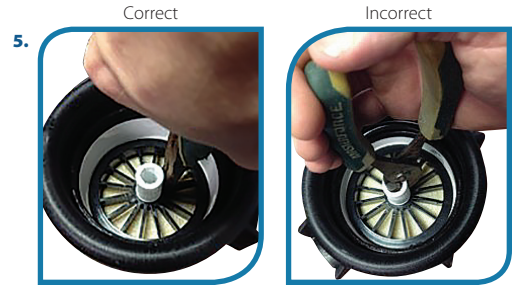
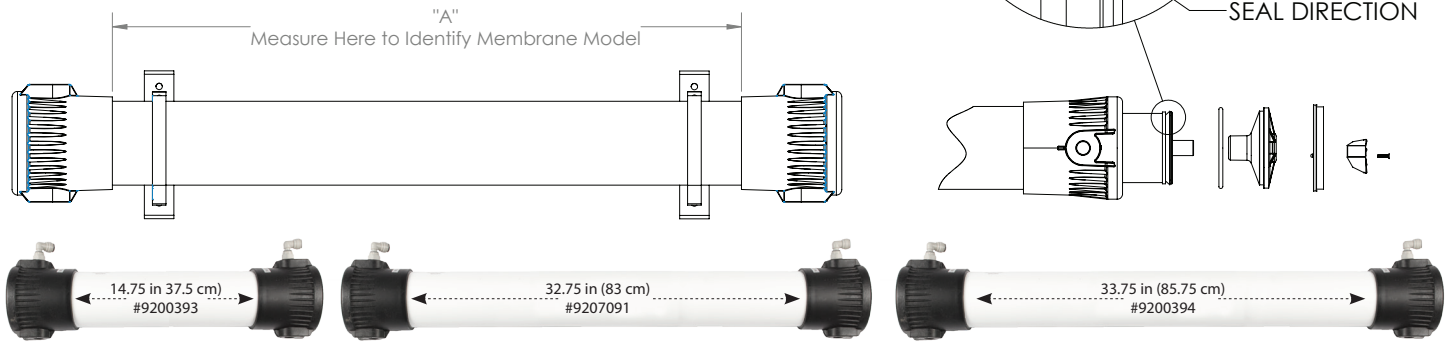


5. Slowly remove the membrane element from the pressure vessel being careful not to grasp it by the permeate tube. Needle nose pliers may be necessary to pull the old membrane element out of the pressure vessel.
6. Remove new membrane element from container and inspect. Make sure that all parts are clean and free from dirt. Examine the brine seal, and permeate tube for nicks or cuts. Replace the O-rings or brine seal if damaged.
7. Lubricate the brine seal with a food grade lubricant.
8. Install the membrane element so the brine seal will be located and the opposite end of the flow direction.
9. At a slight angle insert membrane while slightly rotating element being careful not to tear or flip the brine seal. Re-lube the brine seal if necessary.
10. With a smooth and constant motion, push the membrane element into the housing so that the brine seal enters the housing without coming out of the brine seal groove. A slow twisting motion should be used to insert the membrane element, to ensure that the brine seal stays in place.
11. Re-install the end caps by gently twisting the end cap while pushing it onto the housing. Ensure that you do not pinch or fatigue any O-rings while pushing the end plug on. Push the end plug on until the outer diameter of the plug is flush with the outer diameter of the membrane housing. (A rubber mallet may be necessary).
12. Re-install the white nylon snap ring and the yellow snap ring lock
13. These directions should be observed for installation of each element in each housing.

**NOTE:** As time progresses, the efficiency of the membrane will be reduced. The permeate flow rate will begin to decline slightly after one year of operation, but can be extended with diligent flushing and cleaning of the system. A high pH and/or precipitation of hardness can cause premature loss in rejection of membrane elements in the system.

**NOTE:** To get best results from the system change membranes every 1,000 hours.

### MEMBRANE IDENTIFICATION



### WEEKLY MAINTENANCE

A weekly high volume feed flush can greatly improve systems performance by releasing any precipitation of scale and/or sediment buildup on membrane film surface area. The use of feed water is acceptable, the use of Spot Zero purified product water from vessels fresh water system is preferred.

1. Supply dock feed or pressurized fresh water feed from vessel to dedicated Spot Zero inlet connection.
2. Turn System on and completely open concentrate valve counter clockwise.
3. Completely close recycle valve.
4. Allow unit to run for 5-10 minutes.
5. Restore system to normal operating flow rates.

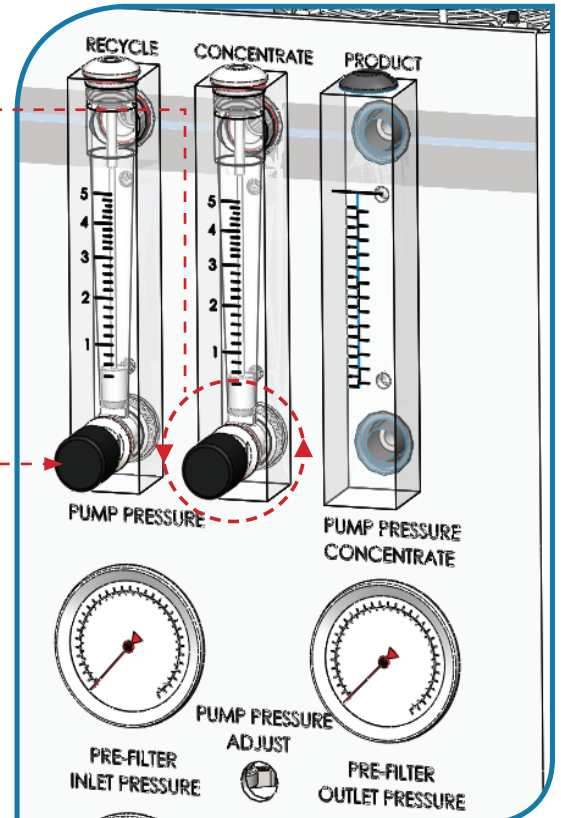
### OPERATION DO'S AND DO NOT'S

#### Do

1. Do change filter cartridges (SZ-45-1001 & SZ-10KDF2) every 100 hours to prevent membrane damage.
2. Do run the system often.
3. Do confirm that recycle flow rate is at 2 GPM during normal operation.
4. Do confirm that concentrate flow rate is at 1 GPM during normal operation.
5. Do perform weekly system flush.
6. Do change membranes every 1,000 hours.

#### Do Not

1. Do Not re-use filter cartridges.
2. Do Not produce more product than system is rated for.
3. Do Not run machine without water supply.
4. Do Not use unapproved pre-filter cartridges, membrane damage may occur.
5. Do Not leave system un-used for long periods of time.
6. Do Not expose system to temperatures below 32 degrees F (0 Degrees C).
7. Do Not leave system unattended while operating.

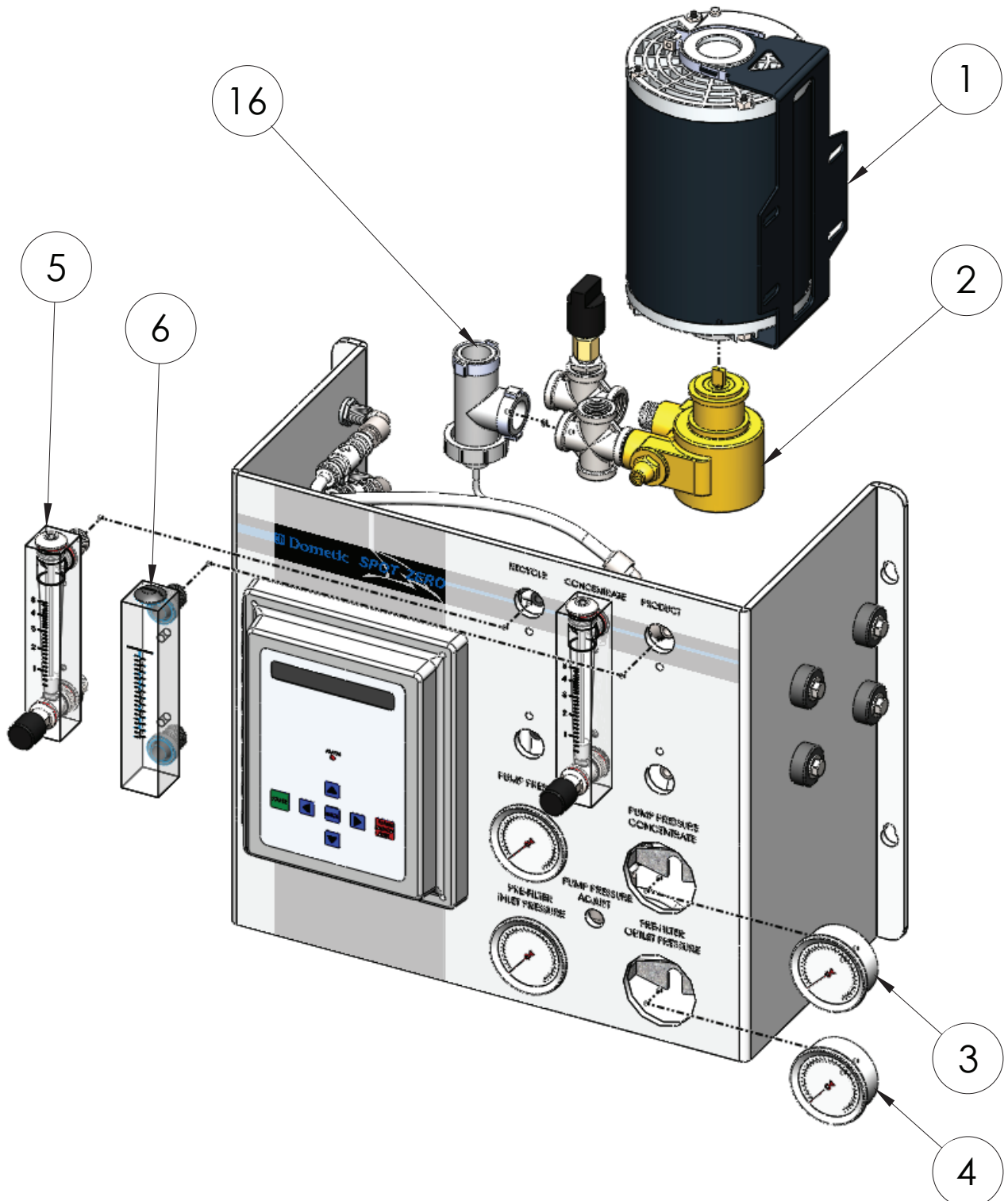




# NORMAL OPERATION & MAINTENANCE

## SPOT ZERO UNIT SPARE PARTS

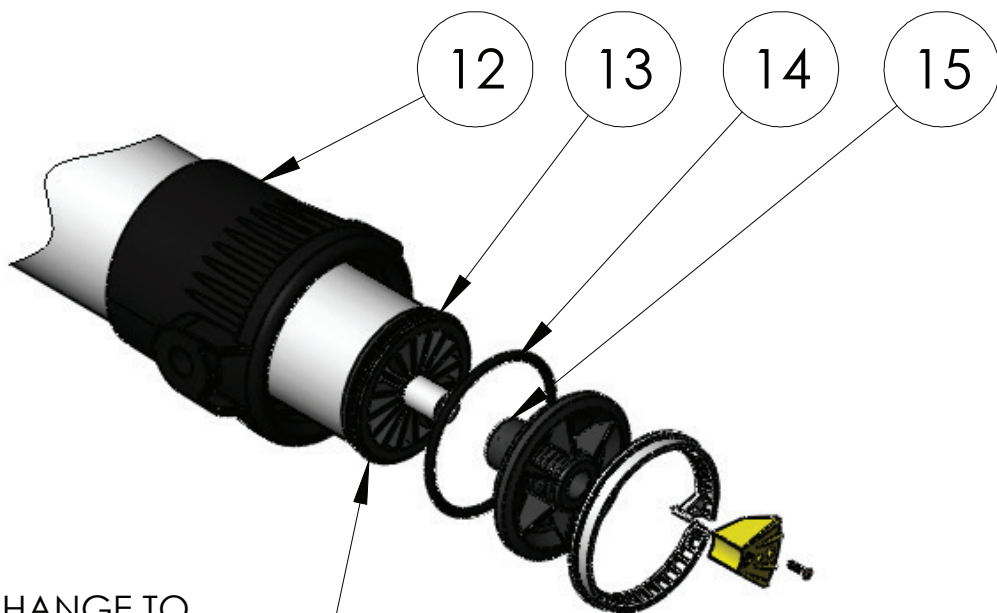
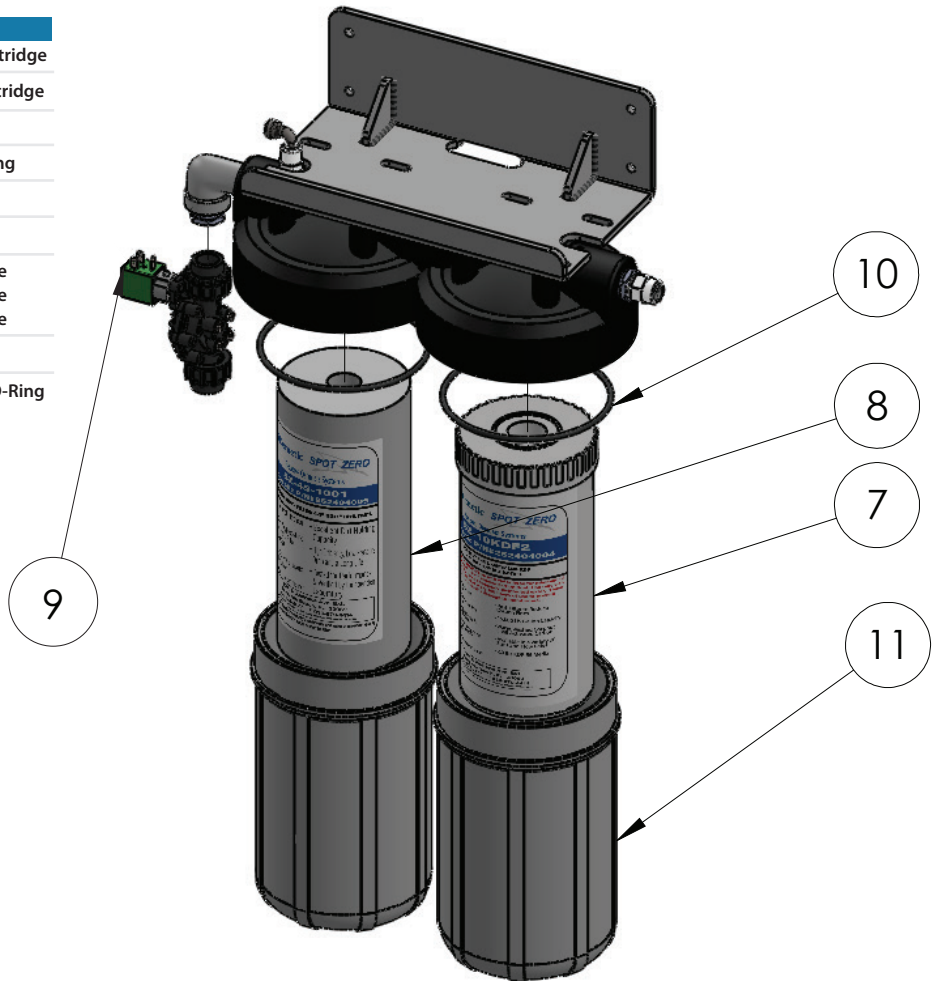
Item Number	Part #	Description
1	252404026	3/4 HP Single PH Motor
2	252404143	5.3 GPM Vane Pump
3	252404024	0-300 PSI Gauge
4	252404027	0-100 PSI Gauge
5	252404030	Flow Meter W/Valve
6	252404031	Flow Meter W/O Valve
16	2524041265	1 GPM Liquid Flow Switch





## SPOT ZERO UNIT SPARE PARTS

Item Number	Part #	Description
7	252404004	SZ-45-1001 Spot Zero Cartridge
8	252404005	SZ-10KDF2 Spot Zero Cartridge
9	SEE DWG SZ0038	2-Way/NC Solenoid Valve
10	252404127	O-Ring For 4.5 x 10 Housing
11	252404047	4.5 x 10 Filter Housing
12	252404173	Spot Zero Upgrade Vessel
13	252404000 252404188 252404184	Spot Zero 4039 Membrane Spot Zero 4040 Membrane Spot Zero 4021 Membrane
14	252404097	4" Membrane O-Ring
15	252404098	1/2" Membrane Product O-Ring



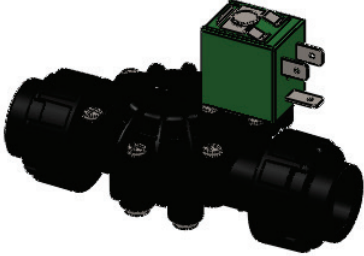
SEE MANUAL  
MEMBRANE CHANGE TO  
IDENTIFY MEMBRANE PART#

# NORMAL OPERATION & MAINTENANCE

## SPOT ZERO UNIT SPARE PARTS

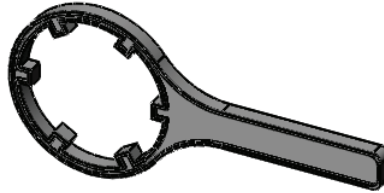
### Inlet Solenoid 2-Way

252404028-FOR 115V  
252404029-FOR 230V



### 2.5 x 10 Filter Wrench

252404049



### 2.5 x 10 Filter Housing O-Ring

252404049



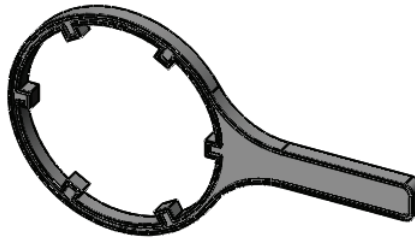
### Hand Held TDS

252404040



### 4.5 x 10 Filter Wrench

252404090



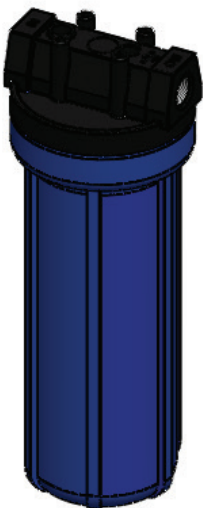
### 4.5 x 10 Filter Housing O-Ring

252404147



### 2.5 x 10 Filter Housing

252404038



### 4.5 x 10 Filter Housing

252404047



### Bacteriostatic Remineralizer Cartridge

252404141



### Chemical Cleaning Cartridge

252404006



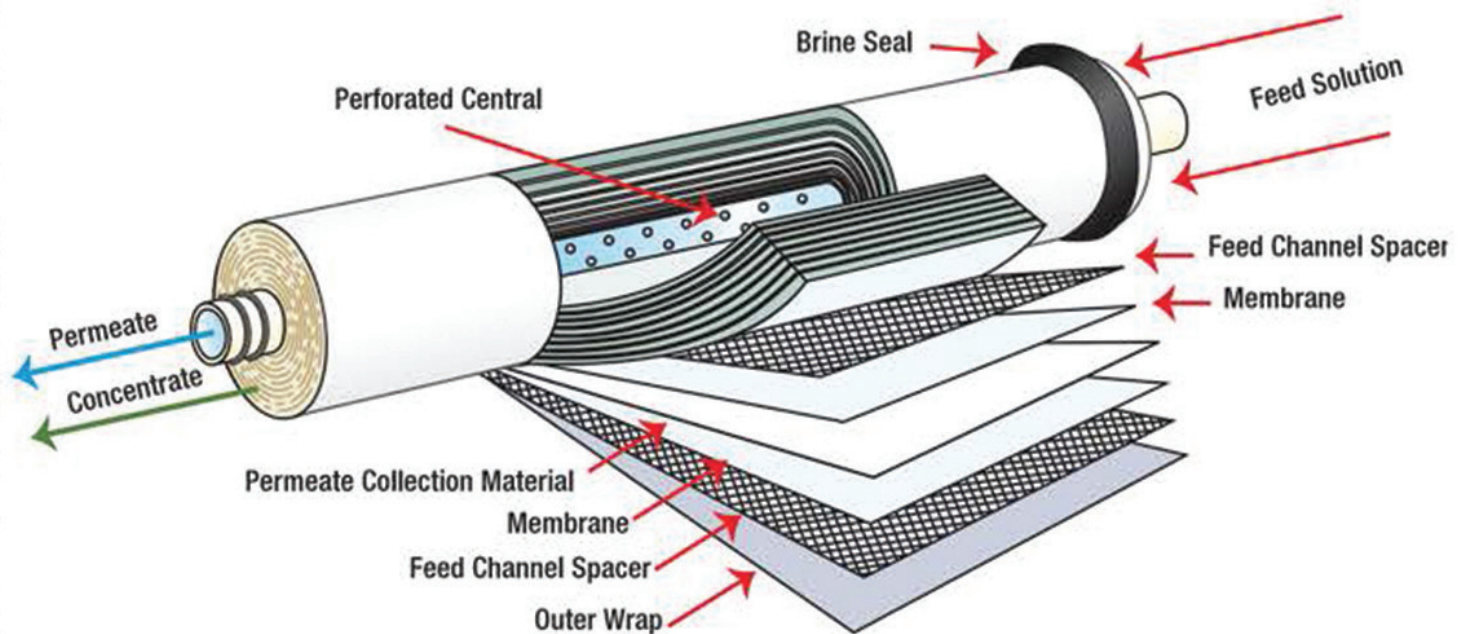
**SYSTEM PURGING** (initial startup)

\* Page 8 reference for Solenoid Valve not shown.







**REVERSE OSMOSIS - HOW DOES IT WORK**

Reverse osmosis (RO) is a separation process that uses pressure to force a solvent through a membrane that retains the solute on one side and allow the pure solvent to pass to the other side. More formally, it is the process of forcing a solvent from a region of high solute concentration through a membrane to a region of low solute concentration by applying a pressure. This is the reverse of the normal osmosis process, which is the natural movement of solvent from an area of low solute concentration, through a membrane, to an area of high solute concentration when no external pressure is applied. The membrane here is semipermeable, meaning it allows the passage of solvent but not of soluble.



# NORMAL OPERATION & MAINTENANCE

## REVERSE OSMOSIS TROUBLESHOOTING

SYMPTOMS	POSSIBLE CAUSES	CORRECTIVE ACTION
<b>LP FAULT</b> 	Low dock supply pressure Cartridge filters plugged Solenoid valve malfunction Leaks	Increase Inlet Pressure. A minimum of 25psi is recommended for pre-filter outlet pressure during operation. Change Filters Replace Sol. Valve and/or Coil Fix any visible leaks
<b>LOW PERMEATE FLOW</b> 	Cold feed water Low operating pressure Defective membrane brine seal/ Membrane installed backwards Fouled or Scaled membrane Damaged product tube o-rings	See temperature correction sheet Adjust throttle and concentrate valve Replace brine seal and / or Reposition membranes Clean membranes Inspect and/or replace
<b>HIGH PERMEATE FLOW</b> 	Damaged or oxidized membrane Exceeding maximum feed water temperature Low operating pressure	Replace membrane See temperature correction sheet Adjust concentrate valve
<b>POOR PERMEATE QUALITY</b> 	Damage product tube o-rings Damaged or oxidized membrane from Chlorine or Chloramine in feed water	Inspect and/or replace Replace membrane and be sure that SZ-10KDF2 is changed every 100 hours.
<b>MEMBRANE FOULING</b>	Scaling (CaSO4, CaSO3, BaSO4, SiO2) Trapped sediment media Chlorine Oxidation	Clean with SZ-CCC Cleaning Cartridge. Check for over production, conduct weekly maintenance flush. Replace Membrane, check pre-filtration Check Chlorine feed equipment and de-chlorination system. Be sure that SZ-10KDF2 is replaced every 100 hours.
<b>HIGH PUMP PRESSURE (&lt;150 PSI)</b>	Cold feed water Membrane Fouling	See temperature correction sheet See Membrane Fouling

## MEMBRANE ELEMENT ION REJECTION RATES

### TFC MEMBRANES

#### CHARACTERISTICS OF THIN FILM COMPOSITE POLYAMIDE MEMBRANE

\*Nominal Rejection

Ion	Symbol	% Rejection
Aluminum	Al+3	97 – 98
Ammonium	NH4+	85 – 95
Borate	B4O2-2	30 – 50
Boron	B	60 – 70
Bromide	Br -	93 – 96
Cadmium	Cd+2	93 – 97
Calcium	Ca+2	95 – 98
Chloride	Cl -	92 – 98
Chromate	CrO4-2	85 – 95
Copper	Cu+2	96 – 98
Fluoride	F -	93 – 95
Iron	Fe+2	96 – 98
Lead	Pb+2	95 – 98
Manganese	Mn+2	97 – 98

\*Nominal Rejection

Ion	Symbol	% Rejection
Magnesium	Mg+2	95 – 98
Mercury	Hg+2	95 – 97
Nickel	Ni+2	97 – 98
Nitrate	NO3-	90 – 95
Phosphate	PO4-3	95 – 98
Polyphosphate		96 – 98
Potassium	K+	92 – 96
Silica	Si	85 – 90
Silicate	SiO2-2	92 – 95
Silver	Ag+	95 – 97
Sodium	Na+	92 – 98
Sulfate	SO4-2	96 – 98
Thiosulfate	S2O3-2	97 – 98
Zinc	Zn+2	97 – 99

\*The above percent of rejection is for reference only and not to be construed as chemistry. Temperature and TDS are not constant in each water supply.



# MEMBRANE TEMPERATURE CORRECTION FACTOR

CONTINUED FROM PAGE 9

Temperature °F (°C)	Temperature Correction Factor	Temperature °F (°C)	Temperature Correction Factor	Temperature °F (°C)	Temperature Correction Factor	Temperature °F (°C)	Temperature Correction Factor	Temperature °F (°C)	Temperature Correction Factor
50.0 (10.0)	1.711	57.2 (14.0)	1.475	64.4 (18.0)	1.276	71.6 (22.0)	1.109	78.8 (26.0)	0.971
50.2 (10.1)	1.705	57.4 (14.1)	1.469	64.6 (18.1)	1.272	71.8 (22.1)	1.105	79.0 (26.1)	0.968
50.4 (10.2)	1.698	57.6 (14.2)	1.464	64.8 (18.2)	1.267	72.0 (22.2)	1.101	79.2 (26.2)	0.965
50.5 (10.3)	1.692	57.7 (14.3)	1.459	64.9 (18.3)	1.262	72.1 (22.3)	1.097	79.3 (26.3)	0.962
50.7 (10.4)	1.686	57.9 (14.4)	1.453	65.1 (18.4)	1.258	72.3 (22.4)	1.093	79.5 (26.4)	0.959
50.9 (10.5)	1.679	58.1 (14.5)	1.448	65.3 (18.5)	1.254	72.5 (22.5)	1.090	79.7 (26.5)	0.957
51.1 (10.6)	1.673	58.3 (14.6)	1.443	65.5 (18.6)	1.249	72.7 (22.6)	1.086	79.9 (26.6)	0.954
51.3 (10.7)	1.667	58.5 (14.7)	1.437	65.7 (18.7)	1.245	72.9 (22.7)	1.082	80.1 (26.7)	0.951
51.4 (10.8)	1.660	58.6 (14.8)	1.432	65.8 (18.8)	1.240	73.0 (22.8)	1.078	80.2 (26.8)	0.948
51.6 (10.9)	1.654	58.8 (14.9)	1.427	66.0 (18.9)	1.236	73.2 (22.9)	1.075	80.4 (26.9)	0.945
51.8 (11.0)	1.648	59.0 (15.0)	1.422	66.2 (19.0)	1.232	73.4 (23.0)	1.071	80.6 (27.0)	0.943
52.0 (11.1)	1.642	59.2 (15.1)	1.417	66.4 (19.1)	1.227	73.6 (23.1)	1.067	80.8 (27.1)	0.940
52.2 (11.2)	1.636	59.4 (15.2)	1.411	66.6 (19.2)	1.223	73.8 (23.2)	1.064	81.0 (27.2)	0.937
52.3 (11.3)	1.630	59.5 (15.3)	1.406	66.7 (19.3)	1.219	73.9 (23.3)	1.060	81.1 (27.3)	0.934
52.5 (11.4)	1.624	59.7 (15.4)	1.401	66.9 (19.4)	1.214	74.1 (23.4)	1.056	81.3 (27.4)	0.932
52.7 (11.5)	1.618	59.9 (15.5)	1.396	67.1 (19.5)	1.210	74.3 (23.5)	1.053	81.5 (27.5)	0.929
52.9 (11.6)	1.611	60.1 (15.6)	1.391	67.3 (19.6)	1.206	74.5 (23.6)	1.049	81.7 (27.6)	0.926
53.1 (11.7)	1.605	60.3 (15.7)	1.386	67.5 (19.7)	1.201	74.7 (23.7)	1.045	81.9 (27.7)	0.924
53.2 (11.8)	1.600	60.4 (15.8)	1.381	67.6 (19.8)	1.197	74.8 (23.8)	1.042	82.0 (27.8)	0.921
53.4 (11.9)	1.594	60.6 (15.9)	1.376	67.8 (19.9)	1.193	75.0 (23.9)	1.038	82.2 (27.9)	0.918

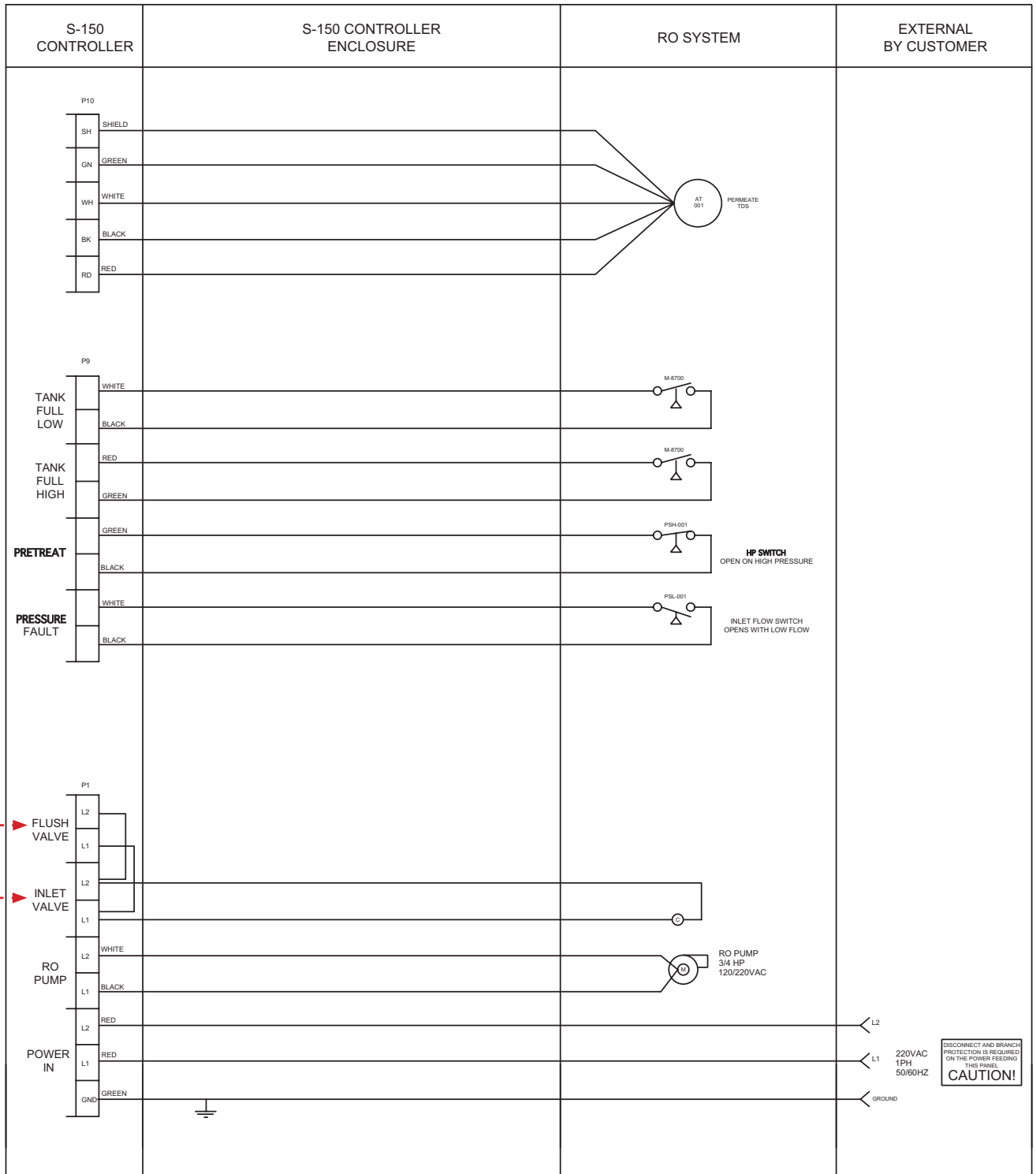
$^{\circ}\text{F} = (^{\circ}\text{C} \times 9/5) + 32$

Temperature °F (°C)	Temperature Correction Factor	Temperature °F (°C)	Temperature Correction Factor	Temperature °F (°C)	Temperature Correction Factor	Temperature °F (°C)	Temperature Correction Factor	Temperature °F (°C)	Temperature Correction Factor
53.6 (12.0)	1.588	60.8 (16.0)	1.371	68.0 (20.0)	1.189	75.2 (24.0)	1.035	82.4 (28.0)	0.915
53.8 (12.1)	1.582	61.0 (16.1)	1.366	68.2 (20.1)	1.185	75.4 (24.1)	1.031	82.6 (28.1)	0.913
54.0 (12.2)	1.576	61.2 (16.2)	1.361	68.4 (20.2)	1.180	75.6 (24.2)	1.028	82.8 (28.2)	0.910
54.1 (12.3)	1.570	61.3 (16.3)	1.356	68.5 (20.3)	1.176	75.7 (24.3)	1.024	82.9 (28.3)	0.908
54.3 (12.4)	1.564	61.5 (16.4)	1.351	68.7 (20.4)	1.172	75.9 (24.4)	1.021	83.1 (28.4)	0.905
54.5 (12.5)	1.558	61.7 (16.5)	1.347	68.9 (20.5)	1.168	76.1 (24.5)	1.017	83.3 (28.5)	0.902
54.7 (12.6)	1.553	61.9 (16.6)	1.342	69.1 (20.6)	1.164	76.3 (24.6)	1.014	83.5 (28.6)	0.900
54.9 (12.7)	1.547	62.1 (16.7)	1.337	69.3 (20.7)	1.160	76.5 (24.7)	1.010	83.7 (28.7)	0.897
55.0 (12.8)	1.541	62.2 (16.8)	1.332	69.4 (20.8)	1.156	76.6 (24.8)	1.007	83.8 (28.8)	0.894
55.2 (12.9)	1.536	62.4 (16.9)	1.327	69.6 (20.9)	1.152	76.8 (24.9)	1.003	84.0 (28.9)	0.892
55.4 (13.0)	1.530	62.6 (17.0)	1.323	69.8 (21.0)	1.148	77.0 (25.0)	1.000	84.2 (29.0)	0.889
55.6 (13.1)	1.524	62.8 (17.1)	1.318	70.0 (21.1)	1.144	77.2 (25.1)	0.997	84.4 (29.1)	0.887
55.8 (13.2)	1.519	63.0 (17.2)	1.313	70.2 (21.2)	1.140	77.4 (25.2)	0.994	84.6 (29.2)	0.884
55.9 (13.3)	1.513	63.1 (17.3)	1.308	70.3 (21.3)	1.136	77.5 (25.3)	0.991	84.7 (29.3)	0.882
56.1 (13.4)	1.508	63.3 (17.4)	1.304	70.5 (21.4)	1.132	77.7 (25.4)	0.988	84.9 (29.4)	0.879
56.3 (13.5)	1.502	63.5 (17.5)	1.299	70.7 (21.5)	1.128	77.9 (25.5)	0.985	85.1 (29.5)	0.877
56.5 (13.6)	1.496	63.7 (17.6)	1.294	70.9 (21.6)	1.124	78.1 (25.6)	0.982	85.3 (29.6)	0.874
56.7 (13.7)	1.491	63.9 (17.7)	1.290	71.1 (21.7)	1.120	78.3 (25.7)	0.979	85.5 (29.7)	0.871
56.8 (13.8)	1.486	64.0 (17.8)	1.285	71.2 (21.8)	1.116	78.4 (25.8)	0.977	85.6 (29.8)	0.869
57.0 (13.9)	1.480	64.2 (17.9)	1.281	71.4 (21.9)	1.112	78.6 (25.9)	0.974	85.8 (29.9)	0.866

Corrected Flow Rate = (Measured Flow Rate) \* (TCF @ Feed Water Temp.)

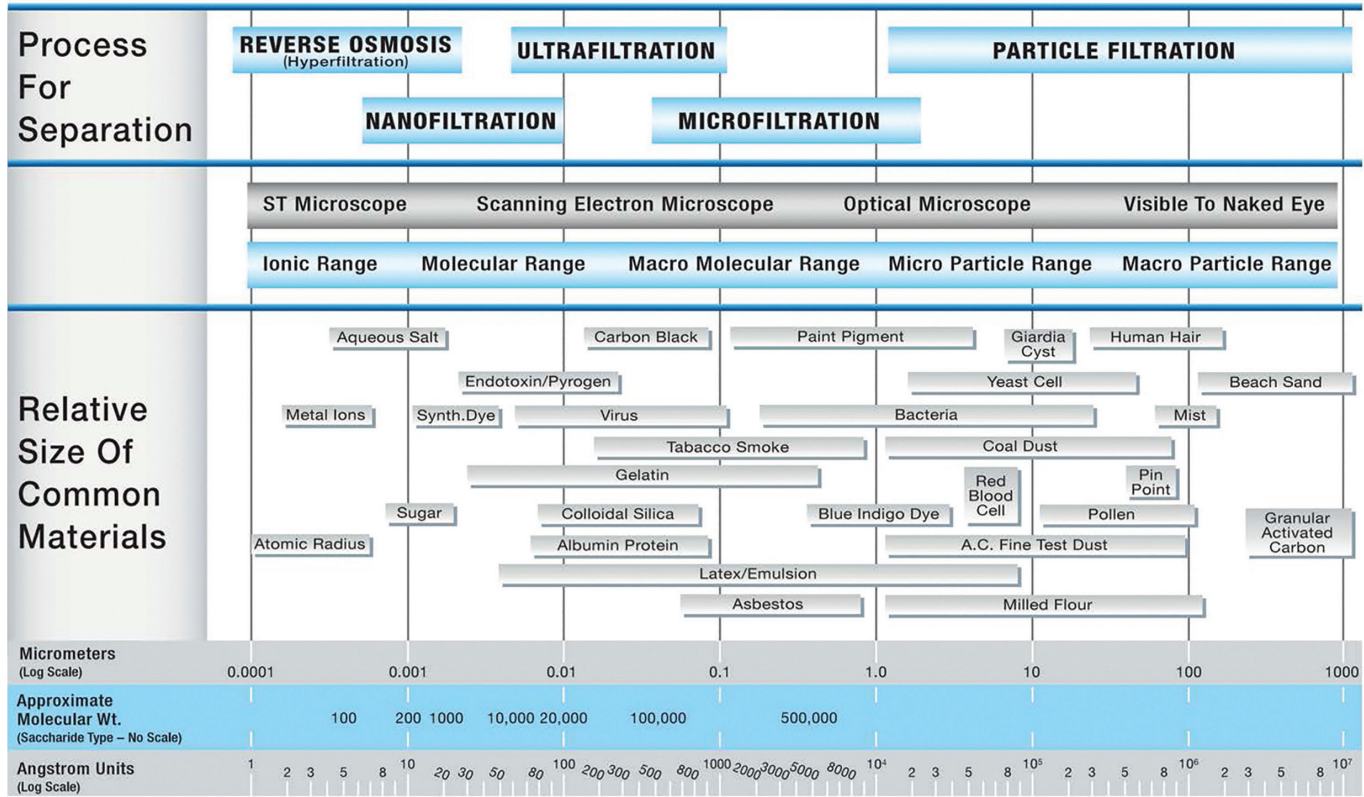
# SPOT ZERO FRESH WATER 120/220VAC SYSTEM

\*Leave jumpers in place.



PROPRIETARY AND CONFIDENTIAL: THIS INFORMATION CONTAINED IN THE DRAWING IS THE SOLE PROPERTY OF SPOT ZERO™. ANY REPRODUCTION IN PART OR AS A WHOLE WITHOUT THE WRITTEN PERMISSION OF SPOT ZERO™ IS PROHIBITED.

# WATER FILTRATION RANGE & SIZING TABLE



NOTE: 1 Micron (1 X 10.6 Meters) = 4 X 10.5 Inches (0.00004 Inches)      1 Angstrom Unit = 10.10 Meters = 10.4 Micrometers (Microns)

 Dometic

SPOTZERO®



# RO CONTROLLER INTRODUCTION

The 150 controller is a state of the art control system for commercial and industrial reverse osmosis systems. The Series 150 combines features that have not previously been available in one compact unit.

The Series 150 is a microprocessor controlled system that can monitor pressure and level switches. A TDS / Conductivity monitor/controller with programmable Setpoints is an integral part of the Series 150. The Series 150 displays system status and sensor and switch input status on an easy to read back lit display. User programmable Setpoints are provided that allow fast and easy adjustment of system parameters.

## SPECIFICATIONS

### POWER:

85-265 VAC, 50/60Hz, 25Watts

### ENVIRONMENT:

-22°F to 140°F, 0-95% RH, noncondensing

### ENCLOSURE:

8" X 6" X 4" (203mm X 152mm X 102mm) NEMA 4X

### DISPLAY:

2 line X 20 character, alphanumeric backlit LCD

### FRONT PANEL:

Overlay with LCD window, alarm lamp, 7 key membrane switch

### SWITCH INPUTS, DRY CONTACT:

Pressure fault

Pretreat lockout

Tank full high

Tank full low

### RELAY OUTPUTS:

RO pump relay 120/240VAC, 1HP

Inlet valve relay 120/240VAC, 5A

Flush valve relay 120/240VAC, 5A

Relays supply same output voltage as board power(120 or 240 VAC)

**CELL:** TDS / Conductivity cell with digital display, permeate standard range, 0-250PPM or uS. Other ranges available:

**PERMEATE:** 50, 100, 500, 1000, 2500, 5000.

**OPTIONAL FEED:** 50, 100, 500, 1000, 2500, 5000, 10000.

Wetted parts ABS and 316SS, 3/4" NPT, 300 PSI max.

### OPTIONAL I/O EXPANDER:

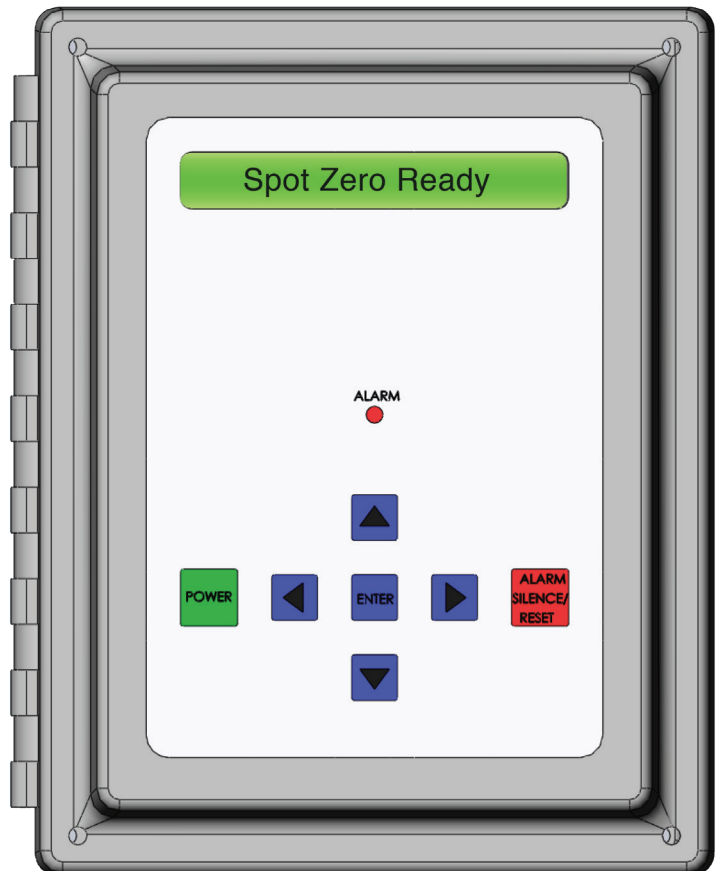
Auxiliary/divert/boost relay 120/240VAC, 1HP

Divert/alarm relay 120/240VAC, 5A

Tank low switch input, dry contact

## FRONT PANEL CONTROLS AND INDICATORS

<b>DISPLAY</b>	Shows status of system.
<b>ALARM LAMP</b>	Flashes when fault causes an RO system shut down. On steady when a Setpoint is exceeded that does not cause an RO system shut down.
<b>POWER KEY</b>	Places controller in operating or standby mode.
<b>LEFT ARROW KEY</b>	Scrolls through Setpoints starting with first Setpoint.
<b>RIGHT ARROW KEY</b>	Scrolls through Setpoints starting with last Setpoint.
<b>UP ARROW KEY</b>	Increases value of Setpoint.
<b>DOWN ARROW KEY</b>	Decreases value of Setpoint
<b>ENTER KEY</b>	Confirms entry of new Setpoint value.
<b>ALARM SILENCE/RESET KEY</b>	Push once for alarm silence and twice to reset system after a shut down has occurred.



# INSTALLATION

## PHYSICAL INSTALLATION

Mount the Series 150 in a convenient location on the RO equipment using the four mounting ears provided with the unit or the optional panel mounting bracket.

**NOTE:** All terminals on the board are labeled.

## TERMINAL STRIP, JUMPER AND ADJUSTMENT LOCATIONS

Refer to figure 2 (p.30) for the location of all terminal strips and connectors. Figure 2 also shows all jumper and adjustment locations. Figure 3 shows a sample wiring diagram.

## POWER WIRING

Refer to figure 2-3 (p.18-19) for terminal strip locations. AC power for the unit is connected to terminal strip P1. Connect the ground wire of the AC power to the terminal labeled GND. For AC power with a neutral and hot wire, the hot wire connects to L1 and the neutral wire connects to L2. For AC power with 2 hot wires, either wire can connect to L1 and L2. On AC power with 2 hot wires, the wire jumper between P6 and P7 should be removed and a fuse(GMA 1/4A) installed in F2.

## PUMP AND VALVE RELAY OUTPUTS

The Series 150 supplies relay outputs to control the RO pump and solenoid valves.

**NOTE:** The relays output the same voltage as the AC power to the board. If the pump and solenoids operate on different voltages, a contractor will need to be supplied to operate the pump.

## RO PUMP WIRING

The RO pump connects to the L1 and L2 RO pump terminals of P1. This output can operate 120/240VAC motors up to 1HP directly. For motors larger than 1HP or 3 phase motors, this output can be used to operate a contractor.

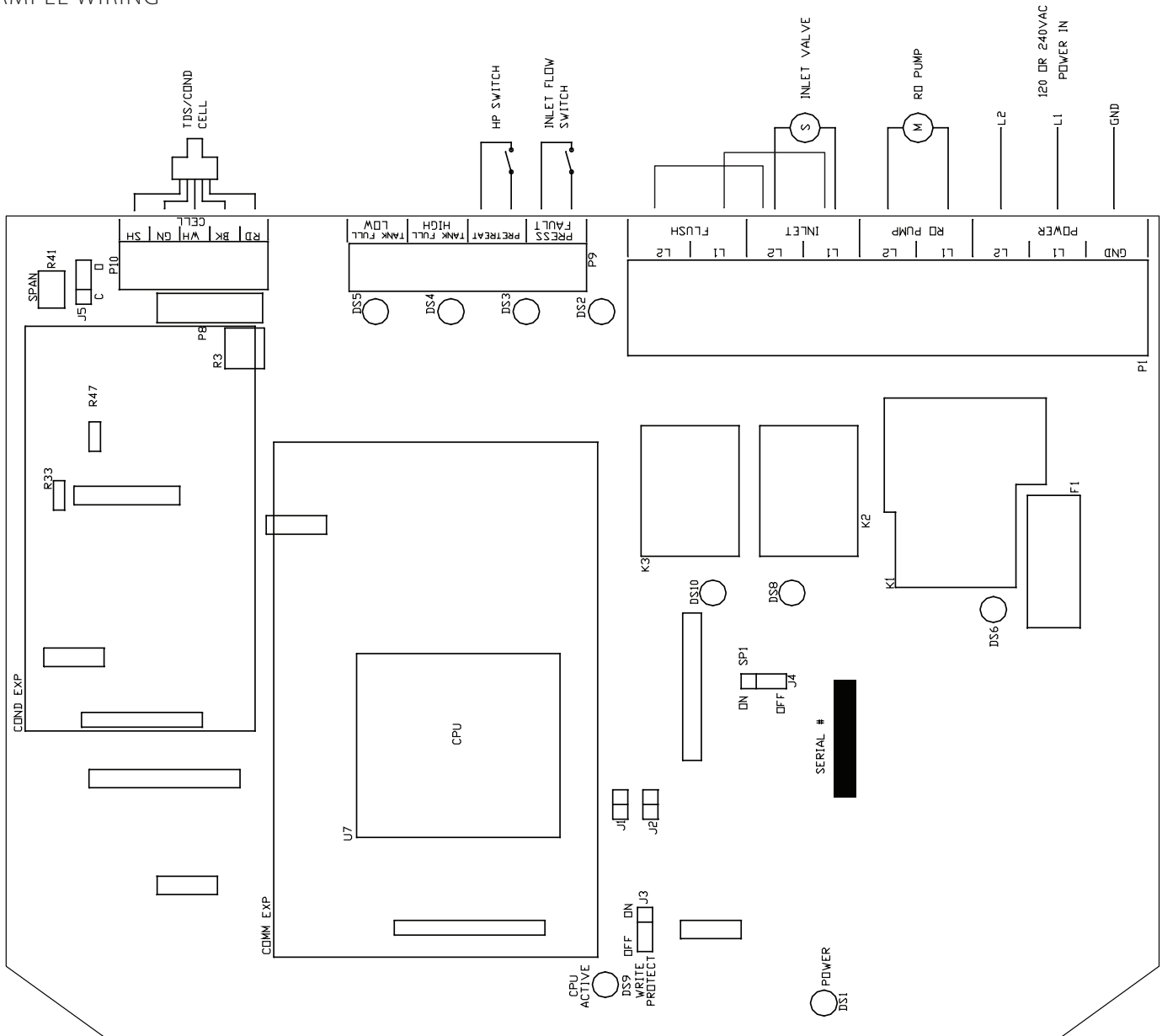
## INLET AND FLUSH VALVE WIRING

The inlet and flush valves must operate at the same voltage as supplied to the board. These outputs can supply 5A maximum and are not designed to operate pump motors directly. If these outputs are to be used to operate a boost or flush pump, the output should be used to operate a contractor. The inlet valve connects to the L1 and L2 inlet terminals of P1. The flush valve connects to the L1 and L2 flush terminals of P1.

## TDS / CONDUCTIVITY CELL WIRING

For accurate TDS / Conductivity readings, the cell should be installed in a tee fitting where a continuous flow of water passes over the cell and no air can be trapped around the cell. Refer to figure 5 (p.32) for example installation. The cell is connected with 5 wires to terminal strip P10. Connect each colored wire to the terminal labeled with the same color.

## SAMPLE WIRING



# STANDARD SETPOINTS

## TO DISPLAY OR CHANGE SETPOINTS

1. Refer to figure 1 (p.19) for the location of the keys used to display or change the Setpoints and figure 2 (p.21) for the location of the write protect jumper, J3. For the unit to be able to accept a change in a Setpoint, the shorting jumper must be in the off position(center and left pins).

**NOTE:** Setpoints cannot be changed if the write protect jumper is in the ON position.

- Use the Left and Right arrow keys to display the Setpoints. Each press of an arrow key will advance the display to the next Setpoint. The Left arrow key starts with the beginning Setpoint and the Right arrow key starts with the last Setpoint.
- The Up and Down arrow keys are used to increment or decrement the Setpoint value. The value will change by 1 count each time a key is pressed. If the key is pressed and held for ~1 second, the Setpoint value will change at a fast rate. When the key is released, the fast rate will be reset. Pressing both the Up and Down arrow keys together will reset the Setpoint value to 0.
- Pressing the Alarm Silence/Reset key at any time will cancel the operation and return the display to the main screen.
- To accept the new Setpoint value, press the Enter key.
- The unit will beep twice if the change is accepted. If the write protect jumper is on, the unit will show WRITE PROTECTED on the display and one long beep will sound.
- When finished changing Setpoints, the write protect jumper should be placed in the on position(center and right pins).

SETPOINT	DESCRIPTION	RANGE	DEFAULT
TDS / Cond Limit	When this value is met or exceeded, the alarm lamp will light and high TDS / Cond will show on the display. To disable, set to 0.	0-999 uS or PPM	999
TDS / Cond Delay	When the limit Setpoint is exceeded, no alarm will be given until this time has expired.	0-999 seconds	30
TDS / Cond Shtdwn	Once a TDS / Cond alarm is active, if the time in this exceeded, a TDS / Cond shut down will occur. To disable, set to 0.	0-99 minutes	0
RO Start Delay	The amount of time between the inlet valve opening and the RO pump start.	0-99 seconds	0
Press Fault Delay	The time a pressure fault must be active before a pressure fault shut down occurs.	0-99 seconds	3
Auto Reset	When a pressure fault shut down is active, the system will attempt to restart after this delay. If set to 0, system must be manually reset.	0-99 seconds	60
Alarm Silence	If the audible alarm is silenced, after this delay, the alarm will resound. If set to 0, minutes the alarm will remain silenced.	0-99	0
	The System will restart after this delay.	sec/min	0
	Delay is in seconds or minutes. 0=seconds, 1=minutes.		0
		minutes	0
Tank Lo Restart	When a tank low condition clears, the auxiliary pump will restart after this delay.	0-99 Minutes	0

SETPOINT	DESCRIPTION	RANGE	DEFAULT
Flush Type	Selects the type of flush. Set to 0 to disable flush.	0-8	6
Flush Time	The length of time a membrane flush cycle will last when flush is active.	0-99 minutes	1
Flush Interval	The interval between flush cycles. Only valid with op hour, elapsed time or off flush types.	0-99 hours	0
Flush Mode	Selects if the inlet and RO pump relays operate during flush.	0-3	0
Maximum Hours	If the current operating hours exceed this limit, the operating hours warning will occur. To disable, set to 0.	0-65000 hours	0
Current Hours	Current number of hours of RO system operation.	0-65000	0
Expander Mode	Selects how the relays on the I/O expander board operate.	0-4	0
Temp Offset	Allows adjustment of temperature reading by +5 degrees.	-5 - +5	0
Temp UOM	Selects display of temperature in °F or °C	0-1	0
Switch Select	Selects if switch inputs are normally open or normally closed.		15
TDS / Cond UOM	Selects display of water quality in uS or PPM <b>NOTE:</b> If this Setpoint is changed, the unit must be recalibrated.	0-1	1
TDS / Cond Range	Selects range of TDS / Conductivity monitor 0-50, 1-100, 2-250, 3-500, 4-1000, 5-2500 6-5000 <b>NOTE:</b> If this Setpoint is changed, the unit must be recalibrated and may require some components be changed.	0-6	2

## SYSTEM OPERATION

### GENERAL OPERATION

The unit has 2 modes of operation, a standby mode and an operating mode. In the standby mode, the unit is effectively off. All outputs are turned off and the display shows STANDBY. In the operating mode, the unit operates automatically. All inputs are monitored and the outputs are controlled accordingly. Pressing the Power key will toggle the unit from standby to operate or from operate to standby. If power is removed from the unit, when power is reapplied, the unit will restart in the mode it was in when power was removed.

### DISPLAY

The display is a 2 line x 20 character back lit liquid crystal display. System operating status and sensor readings are shown on this display. Setpoint information is also shown on this display.

### OPERATING STATUS MESSAGES

The operating status of the unit is shown on the top line of the display. The following list describes the items shown for the operating status.

**STANDBY** - The unit is in the standby mode.

**DELAY 99** - The unit is in the RO start delay. The number is the seconds remaining before the RO pump starts.

**OPERATING** - The RO unit is operating.

**TANK FULL** - The unit is shut down due to a tank full condition.

**TANK FULL 99** - The unit is shut down due to a tank full condition. If the number is blinking, the tank full high switch has cleared, but the tank full low switch is still active. If the number is on steady, both tank level switches have cleared and the delay is counting down.

**PRETREAT** - The unit is shut down due to a pretreat lockout condition.

**PRESS FAULT** - The unit is shut down due to a pressure fault condition.

**MEMB FLUSH 99** - Membrane flush is active. The number is the minutes remaining in the flush cycle.

### TDS / CONDUCTIVITY

The TDS / Conductivity is shown on the top line after the unit operating status. When the unit is offline because of a shut down condition, the reading is replaced with '----'. If the reading is over range, the reading is shown as '^ ^ ^ ^'.

### OPERATING HOURS

The current operating hours are shown on the bottom line.

### TEMPERATURE

The current water temperature is shown on the bottom line after the operating hours. When the unit is offline because of a shut down condition, the reading is replaced with '----'.

# STANDARD SETPOINTS

## WARNING MESSAGES

Warning messages are also shown on the second line. If any warnings are active, the active warnings will alternate with the normal displays for the bottom line. The following lists the warning messages.

**HI TDS / Cond** - The TDS / Conductivity reading has exceeded the programmed limit.

**TANK LOW** - The tank low input is active.

**TANK LOW 99** - The tank low input has cleared, but the tank low restart delay is active. The number is the minutes left in the delay.

**OP HOURS EXCEEDED** - The current operating hours have exceeded the programmed limit.

## TANK FULL OPERATION

The unit can be operated with 1 or 2 level switches. With 1 level switch, the switch is connected to the tank full high input. When this switch has been active for 5 seconds, the unit will shut down on tank full. TANK FULL will show on the display. When the tank full condition clears, the display will show TANK FULL 99. The number is the tank full restart time and the unit will restart when this delay times out.

For 2 level switch operation, the upper switch is connected to the tank full high input and the lower switch is connected to the tank full low input. When both switches are clear, the RO unit will run. The RO unit will continue to run when the water level rises and the lower switch becomes active. When the upper switch becomes active, after the 5 second delay, the RO unit will shut down. TANK FULL will show on the display. When the tank level drops and the upper level switch clears, the display will show TANK FULL 99 and the RO unit will remain off. The number is the tank full restart time and the number will blink until the lower level switch clears. When the lower level switch clears, the number will remain steady and the RO will restart when the delay times out.

## TANK FULL RESTART

The tank full restart is the delay before the RO unit starts when a tank full condition clears. This delay can be in minutes or in seconds. The TF Restart Setpoint selects seconds or minutes.

## TANK FULL OVERRIDE

A timed tank full override can be initiated when the RO unit is shut down due to a tank full condition. Pressing the Alarm Silence/Reset key for 3 seconds during a tank full condition will enable the tank full override. The RO will start and TF OVERRIDE 9 will show on the display. The number is the minutes remaining in the override timer. When the override times out, the unit will return to the tank full shut down condition.

## PRESSURE FAULT

If the pressure fault input becomes active and stays active for the delay programmed in the PF Delay Setpoint, the unit will shut down for a pressure fault. The display will show PRESS FAULT, the alarm lamp will flash and the audible alarm will sound. The pressure fault can be cleared by pressing the Alarm Silence/Reset key twice.

## AUTO RESET

If a pressure fault shut down occurs and the Auto Reset Setpoint is programmed to 0, the unit will remain shut down until manually reset. If the Auto Reset Setpoint is programmed to a value greater than 0, the unit will automatically clear the pressure fault and attempt to restart after this delay times out.

## ALARM SILENCE

When a shut down occurs that causes the audible alarm to sound, the alarm can be silenced by pressing the Alarm Silence/Reset key once. The alarm will remain silenced if the Alarm Silence Setpoint is programmed to 0. If the Alarm Silence Setpoint is programmed to a value greater than 0, the alarm will resound after this delay times out. Pressing the Alarm Silence/Reset key will silence the alarm and reset this delay.

## PRETREAT

If the pretreat input becomes active and stays active for 2 seconds, the unit will shut down in a pretreat lockout condition. PRETREAT will show on the display and the unit will remain shut down as long as the pretreat input is active.

## HIGH TDS / CONDUCTIVITY WARNING/ALARM

If the TDS / Conductivity reading exceeds the limit programmed the TDS / Cond Limit Setpoint for the delay programmed in the TDS / Cond Delay Setpoint, the alarm lamp will light and the HI TDS / Cond warning message will show on the display. This warning will clear when the TDS / Conductivity drops below the Setpoint. If the TDS / Cond Shutdown Setpoint is programmed to 0, the unit will continue to operate. Otherwise, once a high TDS / Cond warning occurs, after the time programmed in this setpoint, the RO unit will shut down and the alarm will sound. The alarm can be cleared by pressing the Alarm Silence/Reset key twice.

**NOTE:** the auto reset function is not active for this shut down.

## ADJUSTMENTS

### TDS / CONDUCTIVITY CALIBRATION

Refer to figure 2 for adjustment location. To calibrate the TDS / Conductivity, place the cell in a known standard solution. Adjust the span adjustment for the correct reading. If the cell is installed, the unit can be calibrated by taking a sample of the permeate water and testing it with a known, good meter. Adjust the span control until the reading matches the meter.

**NOTE:** If the TDS / Cond range is changed, the unit must be recalibrated AND some components may need to be changed.

### DISPLAY ADJUSTMENT

The display contrast can be adjusted for best viewing by adjusting control R3. This control is located toward the upper right corner of the board, just to the left of the cell connector.

## TROUBLESHOOTING

**CAUTION:** Hazardous voltages are present when power is applied to the unit. Care should be taken when troubleshooting any of the input power or output circuits. When disconnecting or connecting any board or accessory, be sure power is turned off at the disconnect.

Before contacting R & D Specialties for technical help, verify the programming of all Setpoints, check the display and check the status of all lights and indicators. The more information available when you contact us, the easier it will be to determine the source of the problem. **NOTE:** Phone support is only available from 8AM to 5PM Central Standard Time, -6 GMT.

### SYSTEM INOPERATIVE

Is the yellow CPU active LED blinking? If no, is the green power LED, DS1 Lit? If no, is the fuse OK? If no, replace the fuse. If yes, with a voltmeter, verify power is applied to the power terminals L1 and L2. If power is applied to the power terminals and the above checks are OK, the board is probably defective and should be replaced. If no power is applied to the board, check the power wiring to the system.

### DISPLAY BLANK

Is the green power LED, DS1 lit? If no, refer to the system inoperative section. If yes, is the CPU active LED, DS9 blinking? If no, replace the board. If yes, adjust the display contrast adjustment, R3. Is the display still blank? If yes, replace the board.

### INLET VALVE WILL NOT OPERATE

Is the system in standby? If no, are any shut down conditions active? If no, is the inlet LED, DS8 lit? If no, replace the board. If yes, with a voltmeter, verify if there is power on the inlet terminals. Is there power? If no, replace the board. If yes, check the valve and wiring.

### RO PUMP WILL NOT OPERATE

Is the system in standby? If no, are any shut down conditions active? If no, is the RO LED, DS6 lit? If no, replace the board. If yes, with a voltmeter, verify if there is power on the RO pump terminals. Is there power? If no, replace the board. If yes, check the pump and wiring.

### NO OR INCORRECT TDS / CONDUCTIVITY READING

Is sensor wired correctly? If no, correct wiring. If yes, is sensor installed as described in the installation section? If no, install correctly. If yes, verify correct TDS / Conductivity range. Range correct? If no, correct range. If yes, calibrate unit. Does unit calibrate OK? If no, disconnect green and white wires of sensor. Does reading show 0? If no, replace board. If yes, reconnect wires and remove sensor from piping and dry. Does reading show 0? If no, replace cell. If yes, short pins of cell together. Does reading show '^^^'? If no, replace board.



# OWNER'S LIMITED WARRANTY

Dometic Corporation (Dometic) warrants to the original purchaser/owner, and to subsequent owners during the applicable Limited Warranty Period, Dometic's Water Purification Products, Pumps, Related Accessories and Replacement Parts against failure from defects in material or workmanship arising in the periods specified in the Table of Limited Warranty Periods below. If a covered product or part fails during the applicable warranty period, Dometic will remedy same by repairing or replacing the defective warranted product or part as outlined below in the Table of Limited Warranty Periods. Defective parts shall be replaced free of charge and labor shall be paid for by Dometic only as set forth in the Table. Dometic reserves the right to refund the purchase price of the subject product or part as an alternative remedy to repair or replacement. The remedy allowed hereunder (repair, replacement or refund) shall be at Dometic's sole option.

## SECTION I

### WHAT'S COVERED

What does the Limited Warranty cover?

Water Purification Products, Pumps, Related Accessories and Replacement Parts manufactured and/or marketed by Dometic for the durations set forth in the Table of Limited Warranty Periods.

What is disclaimed, and are the warranties and remedies exclusive of all others?

**Dometic does not disclaim the implied warranty of merchantability, but limits the duration of that implied warranty to the duration of the Limited Warranty offered herein.**

**This Limited Warranty, as well as the implied warranty of merchantability and the remedies offered by Dometic herein, are EXCLUSIVE and are made or provided in lieu of all other express or implied warranties, obligations, or liabilities. In no event shall Dometic be responsible or liable for any incidental or consequential damages alleged to have resulted from any defect in or failure of any warranted product or part. In those instances in which a cash refund is made, such refund shall effect the cancellation of the contract of sale and such refund shall constitute full and final satisfaction of all claims which the purchaser has or may have against Dometic due to any actual or alleged breach of warranty, either express or implied, including, without limitation, the implied warranty or merchantability or fitness for a particular purpose.**

Some states do not allow the exclusion or limitation of incidental or consequential damages so the above limitation may not apply to you. Some states do not allow limitations on how long an implied warranty lasts, so the above limitation may not apply to you.

**The Dealer is not an agent for Dometic, except for the purpose of administering the above warranty to the extent herein provided. Dometic does not authorize the dealer or any other person to assume for Dometic any liability in connection with such warranty, or any liability or expense incurred in the replacement or repair of its products other than those expressly authorized herein. Dometic shall not be responsible for any liability or expense except as is specifically authorized and provided herein.**

Dometic reserves the right to improve its products, through changes in design or material without being obligated to incorporate such changes in products of prior manufacture. Dometic can make changes at any time in design, materials, or part of units of any one, model year, without obligation or liability to owners of units of the same year's model of prior manufacture.

This warranty gives you, the purchaser/owner, specific legal rights, and you may also have other rights which vary from state to state.

## SECTION II

### WHAT'S NOT COVERED

What does this Limited Warranty not cover?

This Warranty Shall Not Apply to:

1. Failures resulting from improper installation or use contrary to instructions.
2. Failures resulting from abuse, misuse, accident, fire, or submergence.
3. Any part manufactured by Dometic, which shall have been altered so as to impair its original characteristics.
4. Any parts which fail as a result of misuse, improper application or improper installation.
5. Items not manufactured by Dometic, i.e., items, which are purchased from another manufacturer and supplied as received by Dometic without alteration or modification except as any part of a Dometic manufactured unit or component.
6. Components or parts used by or applied by the purchaser, as an integral part of products not manufactured by Dometic.
7. Labor resulting from difficult access to a Dometic product. The original installer or OEM is responsible for accessibility of unit.
8. Leaks due to improper installation of system, for example: hose clamps, fittings, flare nuts, quick disconnects.
9. Freight Damage.
10. Pumps that have been run dry, are water damaged or have blown freeze plugs.
11. Pumps with cracked heads.
12. Pump seals are not covered.
13. UV light bulbs are not covered.
14. Sea strainer elements are not covered.
15. Cartridge filter elements are not covered.
16. Sand & gravel in a multi-media filter are not covered.
17. Pump packing assemblies are not covered.
18. Pump valve assemblies are not covered.
19. Pump crankcase oil is not covered.
20. Gauge instrument calibration is not covered.
21. Fuses are not covered.
22. Valve seals and packings are not covered.
23. Exterior corrosion is not covered.
24. Membrane elements are not covered.
25. Logic boards with water damage.
26. Logic boards with blown MOV's (Power Surge)
27. Mis-programmed displays.
28. Displays or remotes with water damage.
29. Failures due to improper winterization.
30. Unit damage as a result of improper return packaging.
31. Travel costs are included in the hourly labor allowances and should not be billed as a separate item without preapproval from the factory.

Installation and application of Dometic components are not warranted by Dometic, because Dometic has no control or authority over the selection, location, application, or installation of these components.

## SECTION III

### COVERAGE PERIOD

What is the period of coverage?

SEE TABLE OF LIMITED WARRANTY PERIODS BELOW.

**How does one determine when the Limited Warranty Period begins?**

All Dometic products bear a data plate on which there are model and serial numbers. The date of manufacture of the product can be determined by Dometic based on the serial number on the product. To determine whether or not any Dometic component is in warranty, proceed as follows:

1. Determine the model and serial number on the data plate located on the product. Write or call the Dometic Customer Service Department to obtain the manufacture date of the product. The hours of the Customer Service Department are 8:00 a.m. - 5:00 p.m. (USA, Eastern Standard Time Zone) Monday through Friday excluding holidays.
2. It is possible that a considerable time lag exists between the date a product or component is manufactured and the date it is put in service. In such instances, the date of manufacture could indicate that the item is out of warranty. However, based on the date the equipment is first put in service, the item may still be covered by the Dometic Limited Warranty. For proof of date put in service, Dometic will require a copy of the bill of sale of the Dometic equipment from the installer or new boat dealer to the original owner.

## SECTION IV

### GETTING COVERED WARRANTY SERVICE

How does the purchaser/owner get warranty service?

**Please read the following Warranty Procedure:**

If the failure of a Dometic component is determined to be covered under the Dometic warranty and the time in service is determined to be within the warranty time limit, the owner has the following three options:

1. Preferred option: Have a Dometic authorized Servicing Dealer, perform the work needed. The customer needs to call Dometic Customer Service Department for a recommendation as to the closest dealer. If the customer already knows an authorized servicing dealer, the dealer should be contacted directly.
2. Second option: If the customer contacts Dometic Service Department for a Servicing Dealer and Dometic has no one in that particular area, Dometic will authorize the use of a local service company and Dometic will work with the local company to assist in any way possible.

The customer may contact the Dometic Service Department at 1(800) 542-2477, Monday through Friday, 8:00am - 5:00pm.

# OWNER'S LIMITED WARRANTY

## TABLE OF LIMITED WARRANTY PERIODS

### Important Notes Regarding Product Start-up/Commissioning:

1. Warranty periods begin from the date of possession of the boat/vessel by the first owner if OEM installed or date of installation if dealer installed, but not to exceed three (3) years from date of production of the product. However, if the product is started for any reason by the OEM or dealer, notwithstanding any provision to the contrary, the warranty period will be for a period of one (1) year commencing from the date that the product was started by the OEM or dealer. The warranty is transferable and will carry the remainder of the original owner's warranty based on the original date of purchase or date of installation.
2. Proof of purchase or installation may be required to verify warranty coverage.
3. Any unit or replacement part installed due to a warranty failure carries the remainder of the original warranty. Warranty coverage does not start over from the repair/replacement date.
4. Warranty coverage shall not exceed three (3) years from the date of production of the product.
5. These warranty periods are effective February 1, 2014.

### WATER PURIFICATION PRODUCTS:

PRODUCT	SALE TYPE	WARRANTY COVERAGE
Spot Zero	OEM	1-year warranty, parts and labor, from date of delivery of vessel. Not to exceed 3 years from date of production of product, and subject to <b>Important Notes above</b> . Pump warranty, see Pump section.
	Dealer Installed	1-year warranty, parts and labor, from date of installation. Not to exceed 3 years from date of production of product, and subject to <b>Important Notes above</b> . Pump warranty, see Pump section.
Sea Xchange <small>(SE SERIES, SX SERIES FROM DATE OF DELIVERY OF VESSEL. XTC SERIES, CX SERIES)</small>	OEM	1-year warranty, parts and labor, Not to exceed 3 years from date of production of product, and subject to <b>Important Notes above</b> . Pump warranty, see Pump section.
	Dealer Installed	1-year warranty, parts and labor, from date of installation. Not to exceed 3 years from date of production of product, and subject to <b>Important Notes above</b> . Pump warranty, see Pump section.

### PUMPS, ACCESSORIES, REPLACEMENT PARTS:

PRODUCT	SALE TYPE	WARRANTY COVERAGE
Pumps	OEM or Dealer Installed with complete system.	1 year warranty, parts and labor. Wearable parts such as pump seals, brushes and plastic valves are not covered under warranty.
	Dealer Installed and Aftermarket sales.	1 year warranty, parts only. Wearable parts such as pump seals, brushes and plastic valves are not covered under warranty.
Accessories	OEM, Dealer Installed, and Aftermarket sales.	1 year warranty, parts only.
Replacement Parts	Aftermarket sales.	90-Day warranty, parts only.

 Dometic

SPOTZERO<sup>®</sup>

 **Dometic**

**spotzero**

**2000 N ANDREWS EXT., POMPANO BEACH, FL 33069 • PHONE: 954.973.2477 FAX: 954.979.4414  
EMAIL: [INFO@SPOTZEROWATER.COM](mailto:INFO@SPOTZEROWATER.COM) WEB: [SPOTZEROWATER.COM](http://SPOTZEROWATER.COM)**