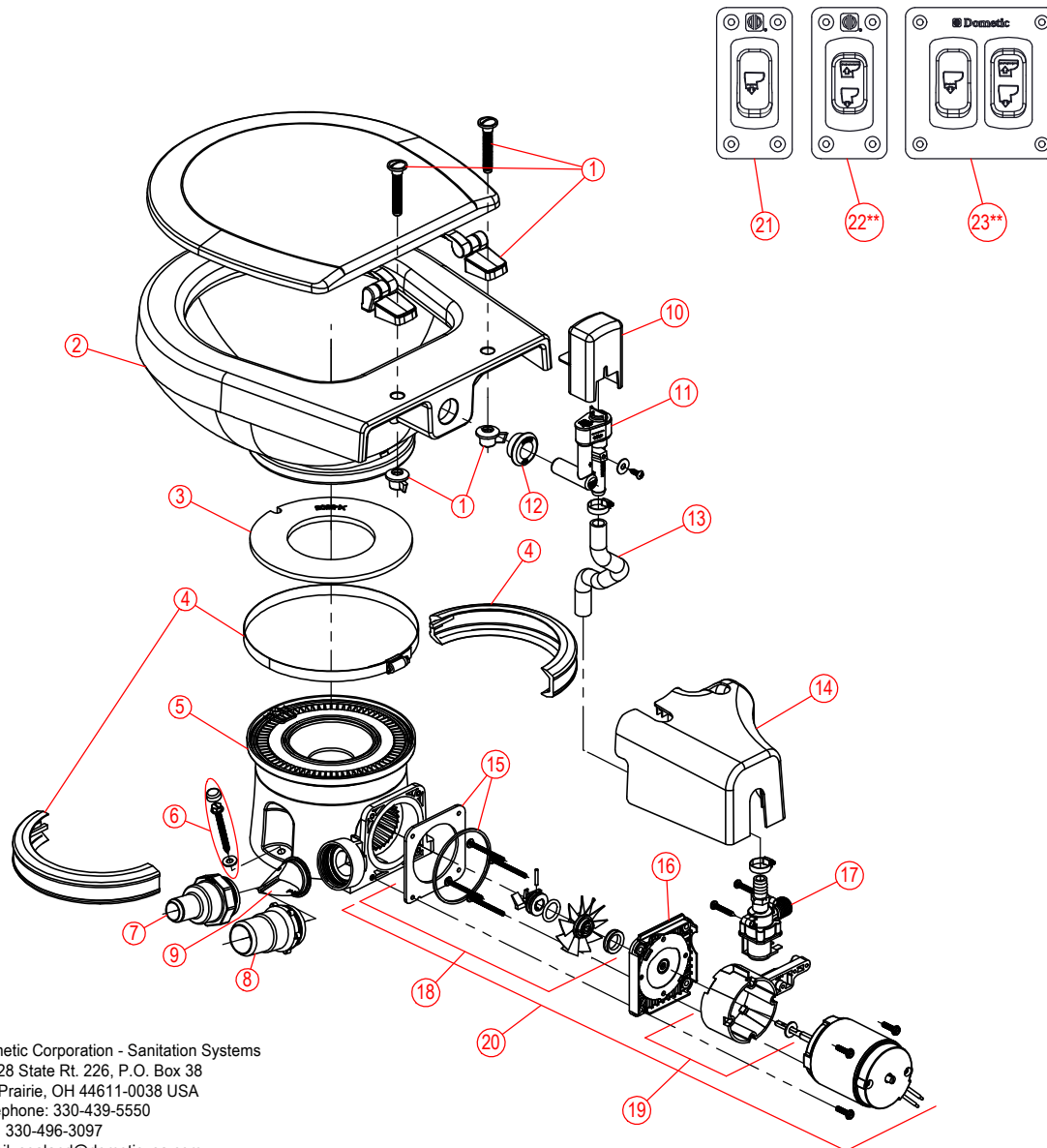


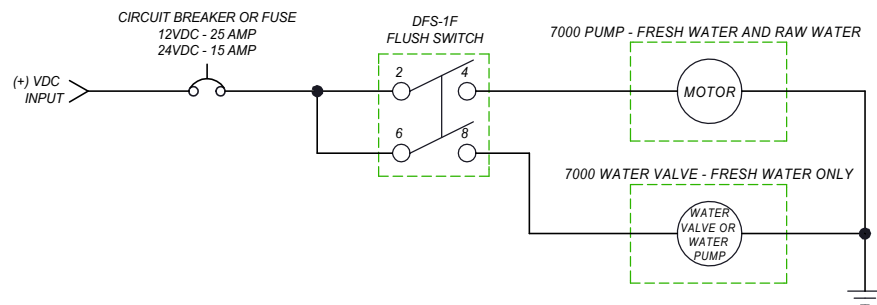
PARTS LIST: ORBIT 7220 STANDARD VERSION



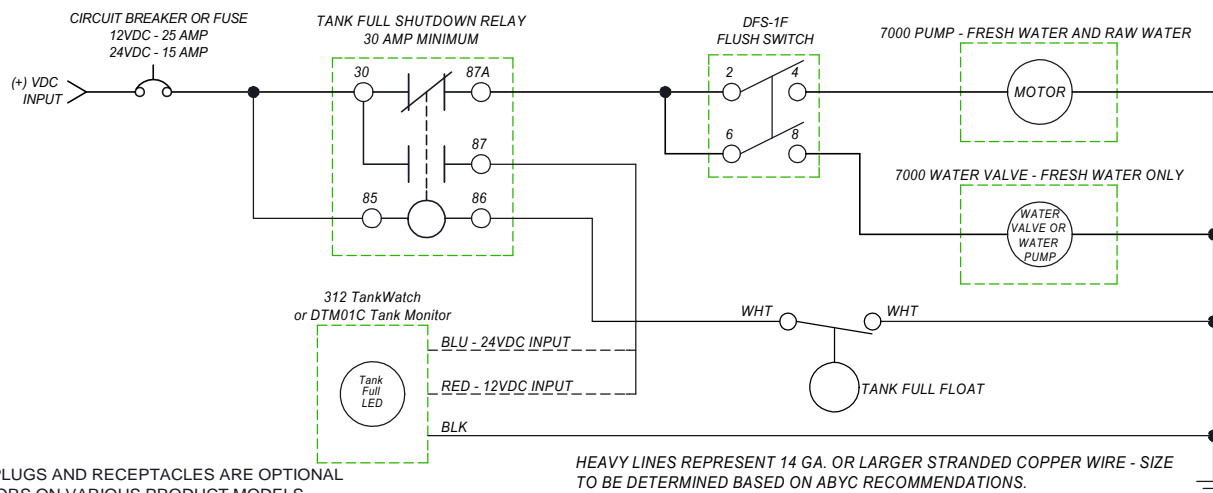
ITEM	PART NUMBER & DESCRIPTION
1	385344436 - SEAT/COVER - WHITE 385344437 - SEAT/COVER - BONE **Includes Mounting Hardware.
2	385310676 - BOWL KIT - WHITE 385310781 - BOWL KIT - BONE
3	385311979 - BOWL SEAL
4	385310025 - BOWL/BASE CLAMP KIT - WHITE 385310048 - BOWL/BASE CLAMP KIT - BONE
5	385311980 - BASE KIT - WHITE 385311981 - BASE KIT - BONE
6	385310679 - MOUNTING HARDWARE
7	385880072 - 1" VALVE ADAPTER
8	385311315 - 1-1/2" VALVE ADAPTER
9	385311620 - 1-1/2" CHECK VALVE
10	385310696 - VACUUM BREAKER COVER - WHITE 385310782 - VACUUM BREAKER COVER - BONE **Includes Mounting Hardware.
11	385310687 - VACUUM BREAKER REPLACEMENT **Includes Item 12.
12	385311164 - 1/2" SEALING GROMMET
13	385312020 - BOWL SUPPLY HOSE KIT - FRESH WATER **Includes Clamps.
14	385311985 - 7000 SERIES PUMP/MOTOR COVER - WHITE 385311986 - 7000 SERIES PUMP/MOTOR COVER - BONE
15	385312033 - FLANGE GASKET REPLACEMENT KIT
16	385311987 - MOTOR MOUNTING PLATE **Includes all Pump Seals & Mounting Hardware.
17	385311851 - WATER VALVE KIT - 12vdc 385311852 - WATER VALVE KIT - 24vdc **Includes mounting screws & clamps.
18	385311988 - MACERATOR BLADE REBUILD KIT **Includes Mounting Hardware.
19	385311992 - WATER VALVE MOUNTING SPACER KIT **Includes all Pump Seals.
20	385311995 - PUMP/MOTOR 12v REPLACEMENT-COMPLETE 385311996 - PUMP/MOTOR 24v REPLACEMENT-COMPLETE **Includes Items 15-18 & Clamps.
21	385311997 - DFS-1F FLUSH SWITCH PANEL **Includes Mounting Screws.
22**	385311998 - DFS-2F FLUSH SWITCH PANEL **Optional; Only Provided with 7120INT & 7220INT Models.
23**	385311702 - DFST FLUSH SWITCH PANEL **Optional; not Provided with all Models.

PARTS LIST: ORBIT 7220 STANDARD VERSION

7000 SERIES FRESH/RAW WATER WIRING DIAGRAM - WITHOUT TANK FULL RELAY



7000 SERIES FRESH/RAW WATER WIRING DIAGRAM - WITH TANK FULL RELAY



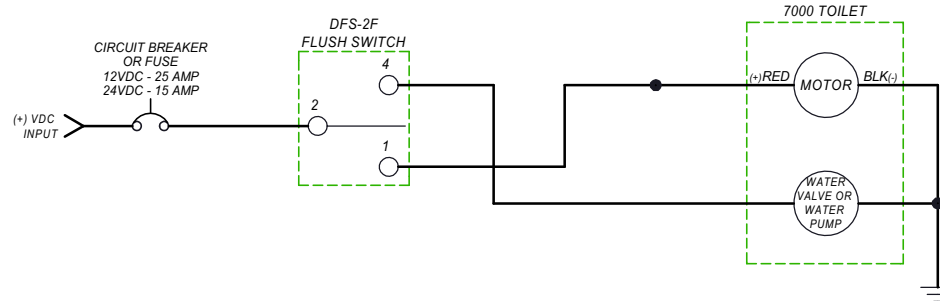
NOTE: DEUTSCH/AMP PLUGS AND RECEPTACLES ARE OPTIONAL ELECTRICAL CONNECTORS ON VARIOUS PRODUCT MODELS. YOUR INSTALLED MODEL MAY OR MAY NOT HAVE DEUTSCH/AMP ELECTRICAL CONNECTORS. OEM SUPPLIED WIRING CAN ALSO VARY IN COLOR.

HEAVY LINES REPRESENT 14 GA. OR LARGER STRANDED COPPER WIRE - SIZE TO BE DETERMINED BASED ON ABYC RECOMMENDATIONS.

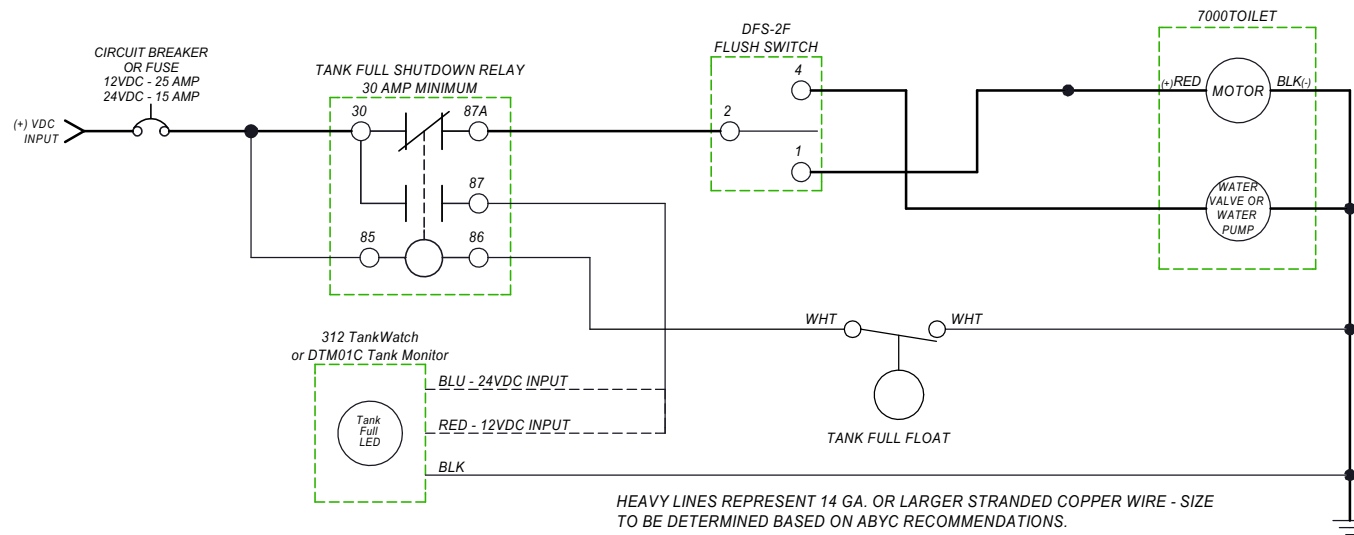
ALL OTHER WIRE CAN BE 18 GA. STRANDED COPPER.

PARTS LIST: ORBIT 7220 STANDARD VERSION

7000 INT'L SERIES FRESH WATER WIRING DIAGRAM - WITHOUT TANK FULL RELAY



7000 INT'L SERIES FRESH WATER WIRING DIAGRAM - WITH TANK FULL RELAY



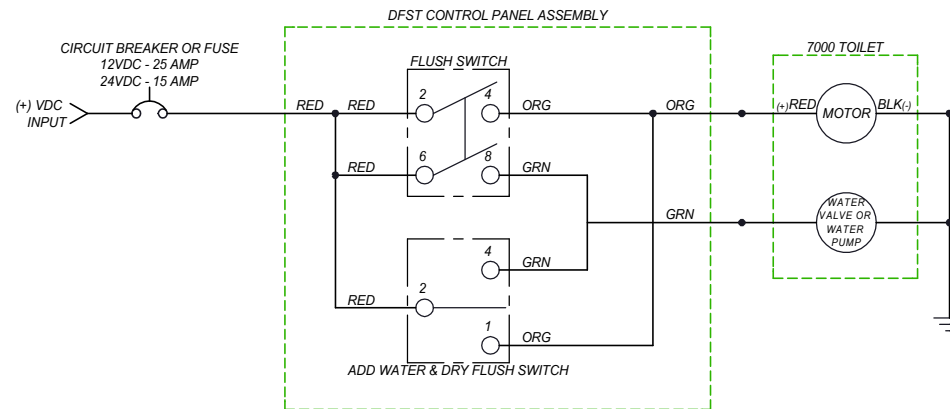
HEAVY LINES REPRESENT 14 GA. OR LARGER STRANDED COPPER WIRE - SIZE TO BE DETERMINED BASED ON ABYC RECOMMENDATIONS.

ALL OTHER WIRE CAN BE 18 GA. STRANDED COPPER.

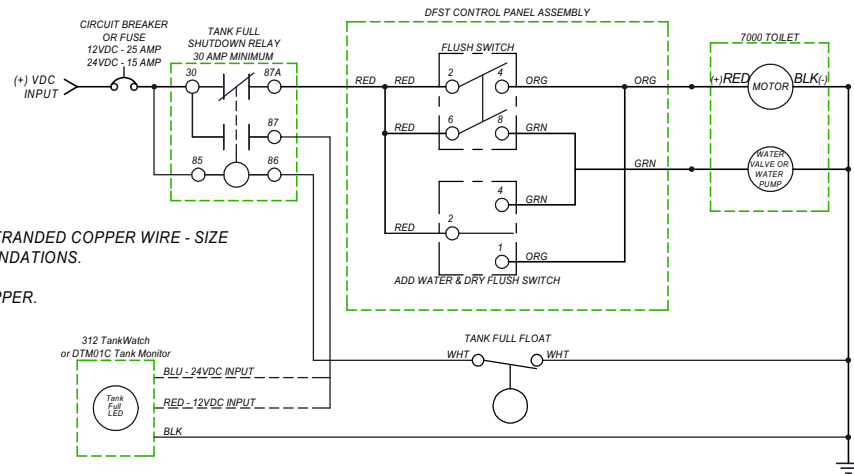
NOTE: DEUTSCH/AMP PLUGS AND RECEPTACLES ARE OPTIONAL ELECTRICAL CONNECTORS ON VARIOUS PRODUCT MODELS. YOUR INSTALLED MODEL MAY OR MAY NOT HAVE DEUTSCH/AMP ELECTRICAL CONNECTORS. OEM SUPPLIED WIRING CAN ALSO VARY IN COLOR.

PARTS LIST: ORBIT 7220 STANDARD VERSION

7000 SERIES FRESH WATER WIRING DIAGRAM - WITHOUT TANK FULL RELAY

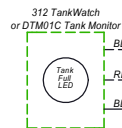


7000 SERIES FRESH WATER WIRING DIAGRAM - WITH TANK FULL RELAY



HEAVY LINES REPRESENT 14 GA. OR LARGER STRANDED COPPER WIRE - SIZE TO BE DETERMINED BASED ON ABYC RECOMMENDATIONS.

ALL OTHER WIRE CAN BE 18 GA. STRANDED COPPER.



NOTE:
DEUTSCH/AMP PLUGS AND RECEPTACLES ARE OPTIONAL ELECTRICAL CONNECTORS ON VARIOUS PRODUCT MODELS. YOUR INSTALLED MODEL MAY OR MAY NOT HAVE DEUTSCH/AMP ELECTRICAL CONNECTORS.
OEM SUPPLIED WIRING CAN ALSO VARY IN COLOR.