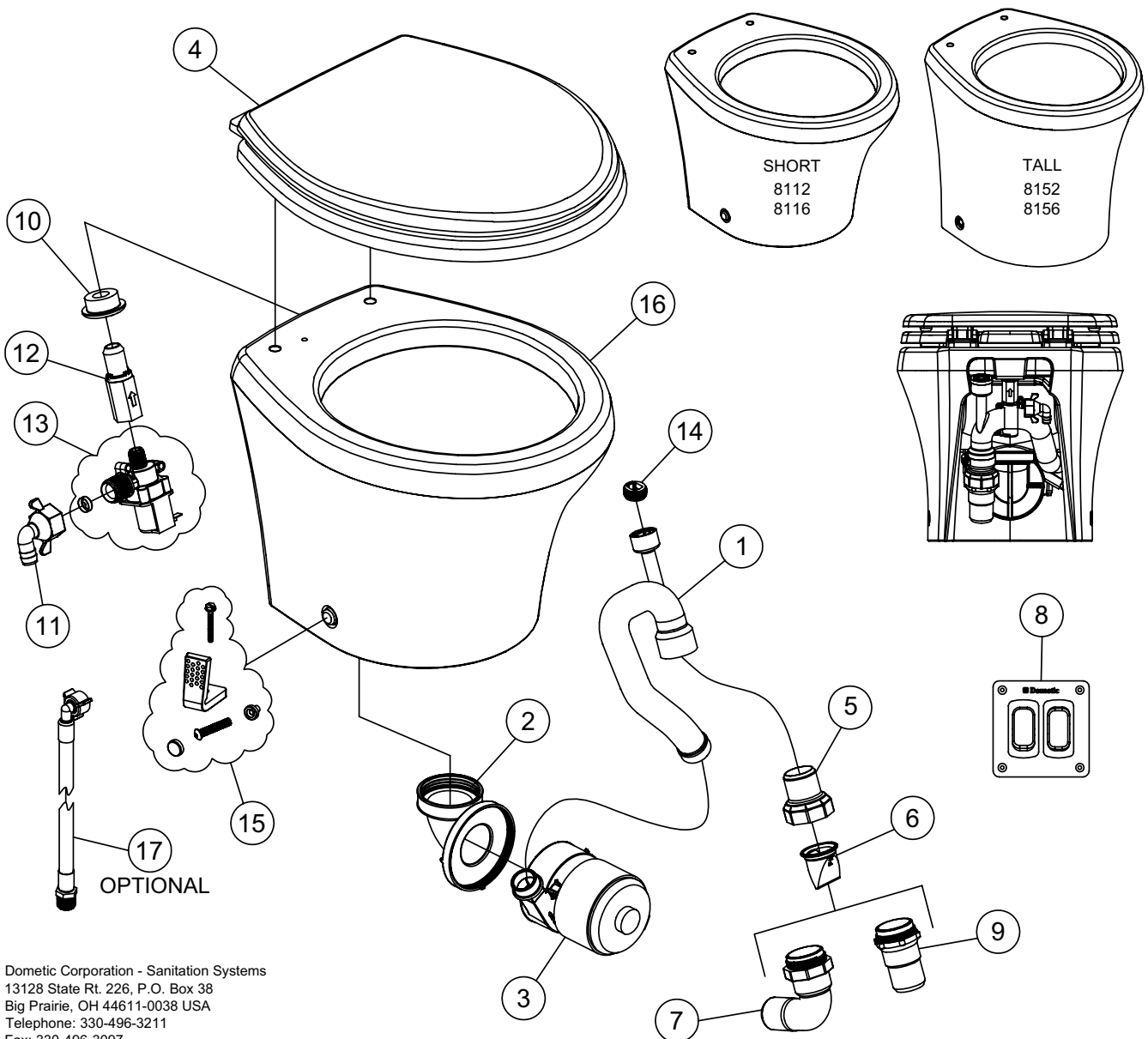


## PARTS LIST: 8100 SERIES

ITEM	PART NO.	DESCRIPTION	ITEM	PART NO.	DESCRIPTION
1	385880065	KIT, TUBE OUTLET SHORT M'FLUSH	11	385311717	KIT, 1/2" FPT SWIVEL ELBOW
2	385880067	KIT, BOWL OUTLET M'FLUSH	12	385880073	KIT CHECK VALVE M'FLUSH (INC. 10)
3	385880068	KIT, MOTOR ASSEMBLY 12VDC M'FLUSH	13	385880074	KIT, W'VALVE 12VDC M'FLUSH (INC. 10,12)
	385880069	KIT, MOTOR ASSEMBLY 24VDC M'FLUSH		385880075	KIT, W'VALVE 24VDC M'FLUSH (INC. 10,12)
4	385311694	KIT, SEAT-CV'R 4800 WOOD-WHITE	14	385880080	KIT, ANTISIPHON VALVE M'FLUSH
	385311695	KIT, SEAT-CV'R 4800 WOOD-BONE	15	385311463	KIT, 4800 CHINA MTG
5	385880070	KIT, ADAPTER M'FLUSH	16	385880076	KIT, BOWL 8900 SHORT WHITE
6	385311620	KIT, DB VALVE 1-1/2"-BLACK (1)		385880077	KIT, BOWL 8900 SHORT BONE
7	385880071	KIT, 1-1/2" OUTLET EL M'FLUSH		385880078	KIT, BOWL 8900 TALL WHITE
8	385311702	KIT, 8100 FLUSH SWITCH ASSY		385880079	KIT, BOWL 8900 TALL BONE
9	385311315	KIT, NIPPLE-RH THREADS	17	385311547	KIT, SUPPLY HOSE-4800 (OPTIONAL)
10	385311164	KIT, SEALING GROMMET 1/2"	N/S	385880083	KIT, STRAP MOTOR M'FLUSH



Dometic Corporation - Sanitation Systems  
13128 State Rt. 226, P.O. Box 38  
Big Prairie, OH 44611-0038 USA  
Telephone: 330-496-3211  
Fax: 330-496-3097  
Email: sealand@dometicusa.com