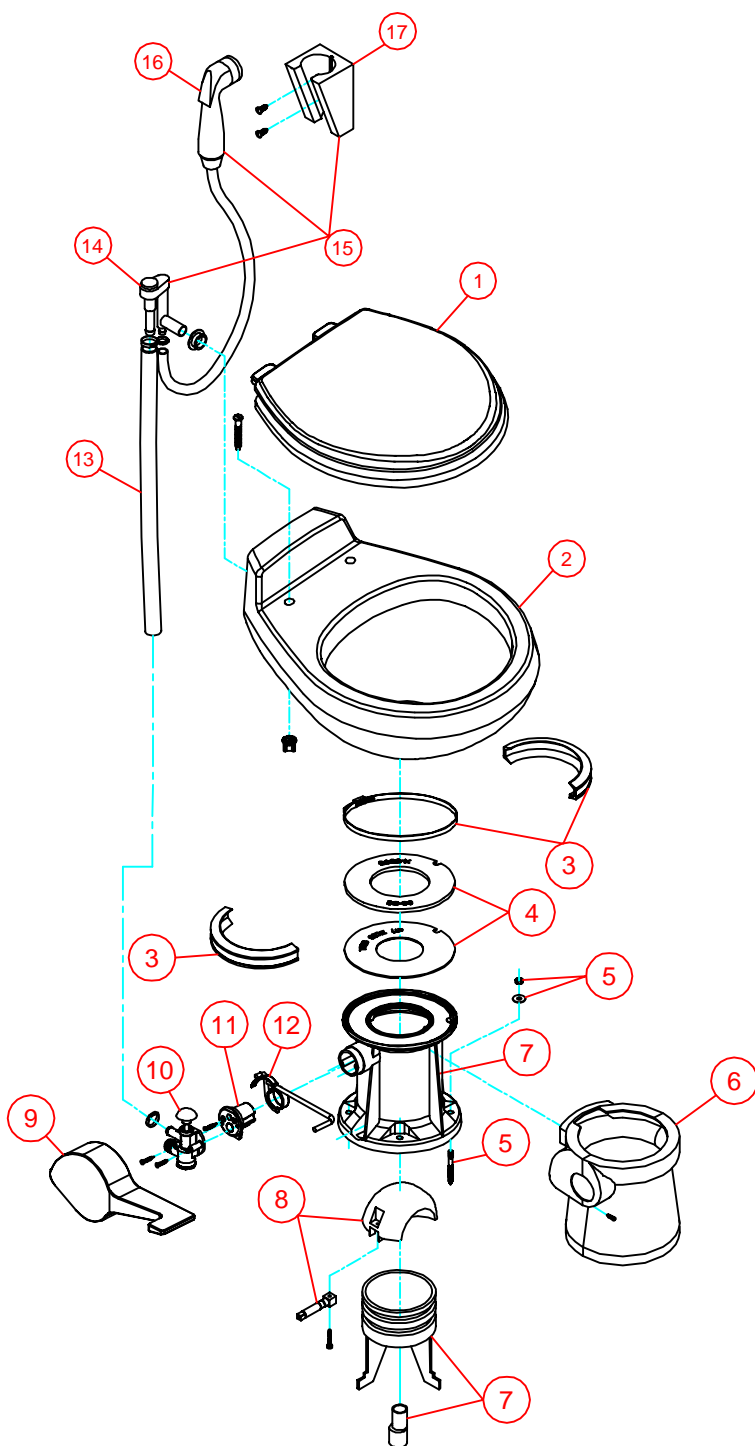


PARTS LIST: 508+



| ITEM | PART NO. | DESCRIPTION |
|-----------|-------------------|--|
| 1 | 385343830 | SEAT ASSEMBLY, WHITE |
| | 385343832 | SEAT ASSEMBLY, BONE |
| | 385343898 | SEAT ASSEMBLY, PLATINUM |
| | 385343902 | SEAT ASSEMBLY, EBONY |
| | 385343900 | SEAT ASSEMBLY, TEAL |
| 2 | 385310739 | CHINA BOWL KIT, WHITE |
| | 385310740 | CHINA BOWL KIT, BONE |
| | 385310741 | CHINA BOWL KIT, PLATINUM |
| | 385310742 | CHINA BOWL KIT, EBONY |
| | 385310743 | CHINA BOWL KIT, TEAL |
| 3 | 385310048 | BAND AND HALF CLAMP, KIT |
| 4 | 385310677 | SEAL REPLACEMENT , KIT |
| 5 | 385316323 | MOUNTING HARDWARE |
| 6 | 385310111 | PEDESTAL COVER KIT , WHITE |
| | 385310112 | PEDESTAL COVER KIT , BONE |
| | 385310113 | PEDESTAL COVER KIT , PLATINUM |
| | 385310173 | PEDESTAL COVER KIT , EBONY |
| | 385310203 | PEDESTAL COVER KIT , TEAL |
| 7 | 385310126 | BASE KIT, WHITE (inc items 3 -12) |
| | 385310127 | BASE KIT, BONE (inc items 3 -12) |
| | 385310128 | BASE KIT, PLATINUM (inc items 3 -12) |
| | 385310171 | BASE KIT, EBONY (inc items 3 -12) |
| | 385310213 | BASE KIT, TEAL (inc items 3 -12) |
| 8 | 385318162 | KIT,BALL,SHAFT & CART, WHITE(inc. item 11) |
| | 385310177 | KIT,BALL,SHAFT & CART, EBONY(inc. item 11) |
| | 385310188 | KIT,BALL,SHAFT & CART, TEAL(inc. item 11) |
| 9 | 385310114 | PEDAL COVER, WHITE |
| | 385310115 | PEDAL COVER, BONE |
| | 385310116 | PEDAL COVER, PLATINUM |
| | 385310175 | PEDAL COVER, EBONY |
| 385310193 | PEDAL COVER, TEAL | |
| 10 | 385314349 | WATER VALVE, KIT |
| 11 | 385236096 | SPRING CARTRIDGE, KIT |
| 12 | 385310578 | PEDAL, CARTRIDGE, KIT (inc. item 11) |
| 13 | 385340177 | HOSE, SUPPLY - BONE, EBONY, PLAT, TEAL |
| | 385345377 | HOSE, SUPPLY - WHITE |
| 14 | 385316906 | VACUUM BREAKER, KIT - WITHOUT SPRAY |
| | 385230335 | VACUUM BREAKER, KIT - WITH SPRAY |
| 15 | 385319056 | VACUUM BREAKER, SPRAY & BRACKET, CHR |
| | 385319057 | VACUUM BREAKER, SPRAY & BRACKET, EBY |
| 16 | 385310809 | HAND SPRAY, CHROME |
| | 385310873 | HAND SPRAY, EBONY |
| 17 | 385311131 | BRACKET, HAND SPRAY-CHROME |
| | 385311125 | BRACKET, HAND SPRAY EBONY |



Dometic Corporation - Sanitation Systems
13128 State Rt. 226, P.O. Box 38
Big Prairie, OH 44611-0038 USA
Telephone: 330-496-3211
Fax: 330-496-3097
Email: sealand@dometicusa.com