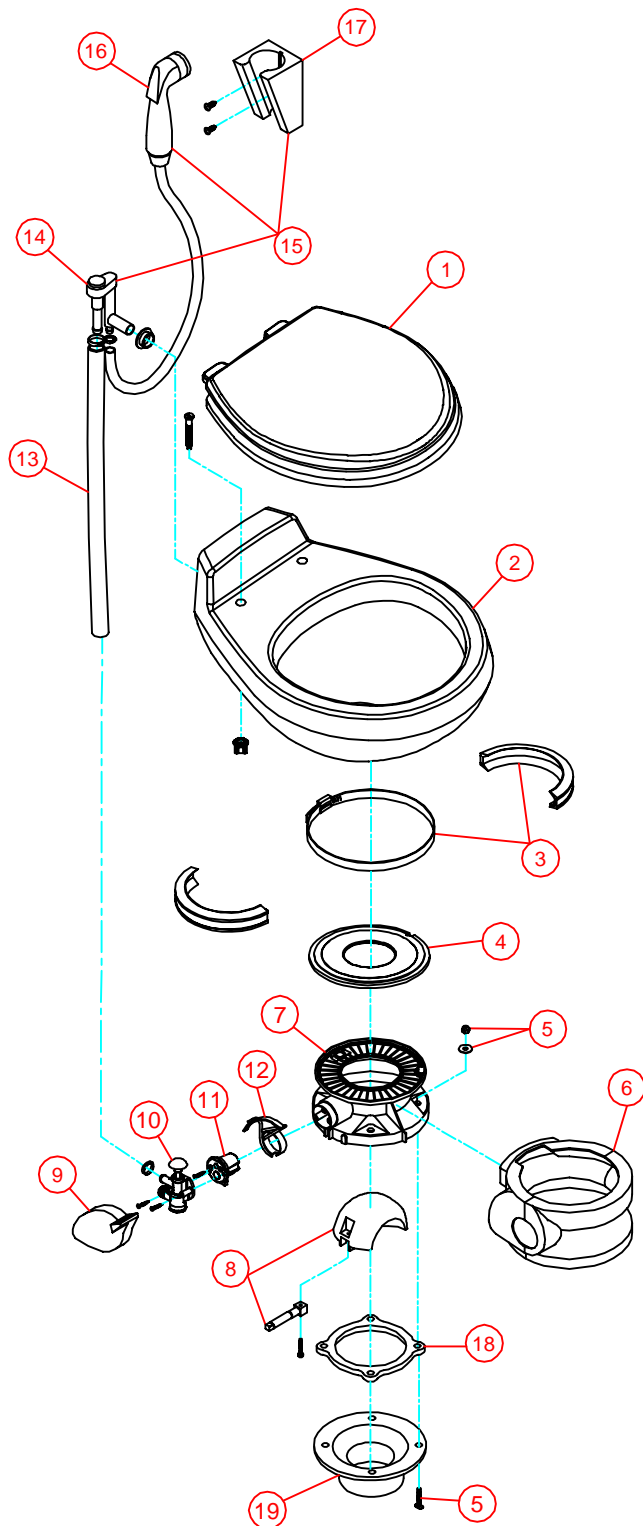


PARTS LIST: 511+



ITEM	PART NO.	DESCRIPTION
1	385343829	SEAT ASSEMBLY, WHITE
	385343831	SEAT ASSEMBLY, BONE
	385343897	SEAT ASSEMBLY, PLATINUM
	385343901	SEAT ASSEMBLY, EBONY
	385343899	SEAT ASSEMBLY, TEAL
2	385310739	CHINA BOWL KIT, WHITE
	385310740	CHINA BOWL KIT, BONE
	385310741	CHINA BOWL KIT, PLATINUM
	385310742	CHINA BOWL KIT, EBONY
	385310743	CHINA BOWL KIT, TEAL
3	385310048	BAND AND HALF CLAMP, KIT
4	385310677	SEAL REPLACEMENT , KIT
5	385310064	MOUNTING HARDWARE
6	385310108	PEDESTAL COVER KIT , WHITE
	385310109	PEDESTAL COVER KIT , BONE
	385310110	PEDESTAL COVER KIT , PLATINUM
	385310600	PEDESTAL COVER KIT , EBONY
	385310603	PEDESTAL COVER KIT , TEAL
7	385310123	BASE KIT, WHITE (inc items 3-12)
	385310124	BASE KIT, BONE (inc items 3-12)
	385310125	BASE KIT, PLATINUM (inc items 3-12)
	385310588	BASE KIT, EBONY (inc items 3-12)
	385310620	BASE KIT, TEAL (inc items 3-12)
8	385318162	KIT,BALL,SHAFT & CART, WHITE(inc. item 11)
	385310177	KIT,BALL,SHAFT & CART, EBONY(inc. item 11)
	385310188	KIT,BALL,SHAFT & CART, TEAL(inc. item 11)
9	385310117	PEDAL COVER, WHITE
	385310118	PEDAL COVER, BONE
	385310119	PEDAL COVER, PLATINUM
	385310593	PEDAL COVER, EBONY
	385310596	PEDAL COVER, TEAL
10	385314349	WATER VALVE, KIT
11	385236096	SPRING CARTRIDGE, KIT
12	385310579	PEDAL, CARTRIDGE, KIT (inc. item 11)
13	385340177	HOSE, SUPPLY - BONE, EBONY, PLAT, TEAL
	385345377	HOSE, SUPPLY - WHITE
14	385316906	VACUUM BREAKER, KIT - WITHOUT SPRAY
	385230335	VACUUM BREAKER, KIT - WITH SPRAY
15	385319054	VACUUM BREAKER, SPR & BRK, KIT WHITE
	385319056	VACUUM BREAKER, SPR & BRK, KIT CHROME
	385319057	VACUUM BREAKER, SPR & BRK, KIT EBONY
16	385310809	HAND SPRAY, CHROME
	385310873	HAND SPRAY, EBONY.
17	385311131	BRACKET,HAND SPRAY-CHROME
	385311125	BRACKET,HAND SPRAY-EBONY
18	385310063	FLOOR FLANGE, KIT (inc item 5)
19	385345889	FLOOR FLANGE, 3" MPT
	385345892	FLOOR FLANGE, 3" SOCKET
	385343765	FLOOR FLANGE, 3" SPIGOT
	385310961	FLOOR FLANGE ADAPTER, 45° SWIVEL (MUST BE USED WITH SEAL INC.)

(ITEM 19 SOLD SEPARATELY)