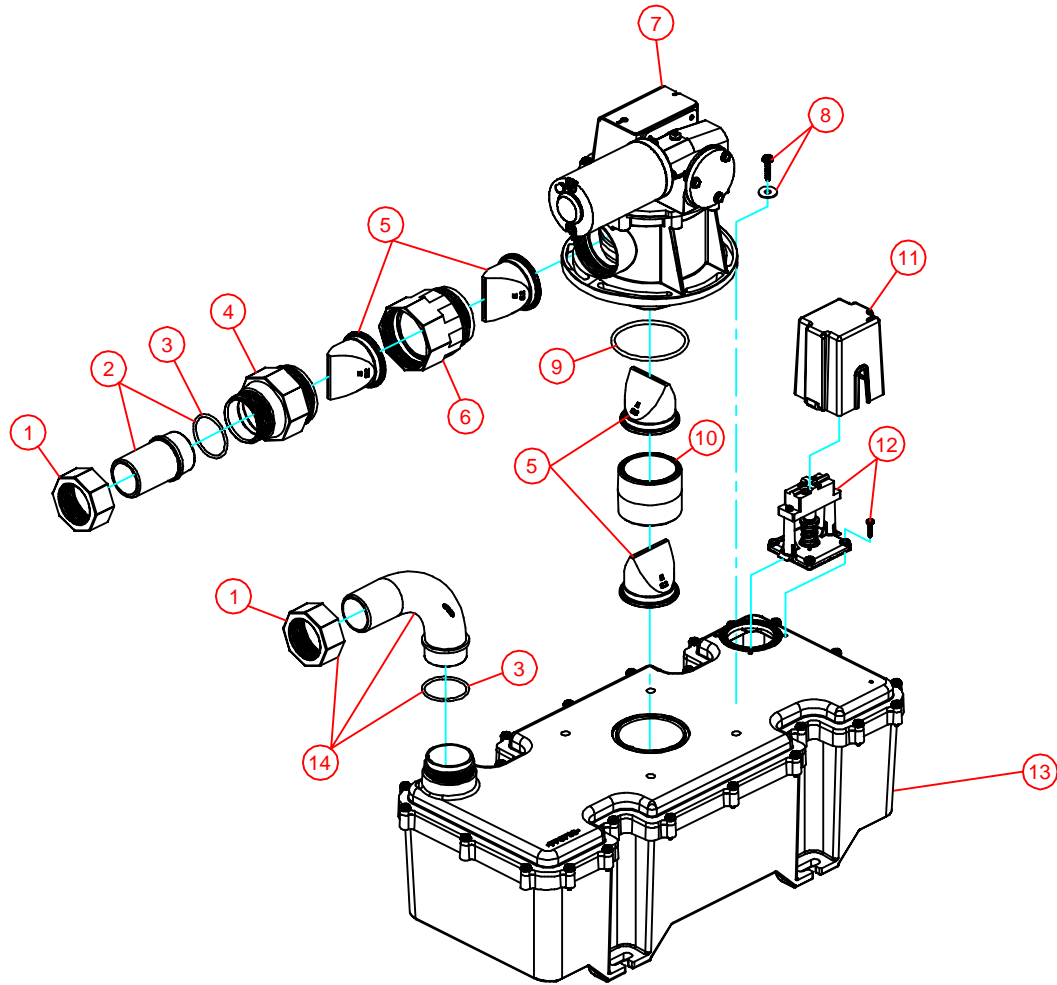


PARTS LIST: VG4 JQ12 & VG4 JQ24 (317780112 & 317780024)

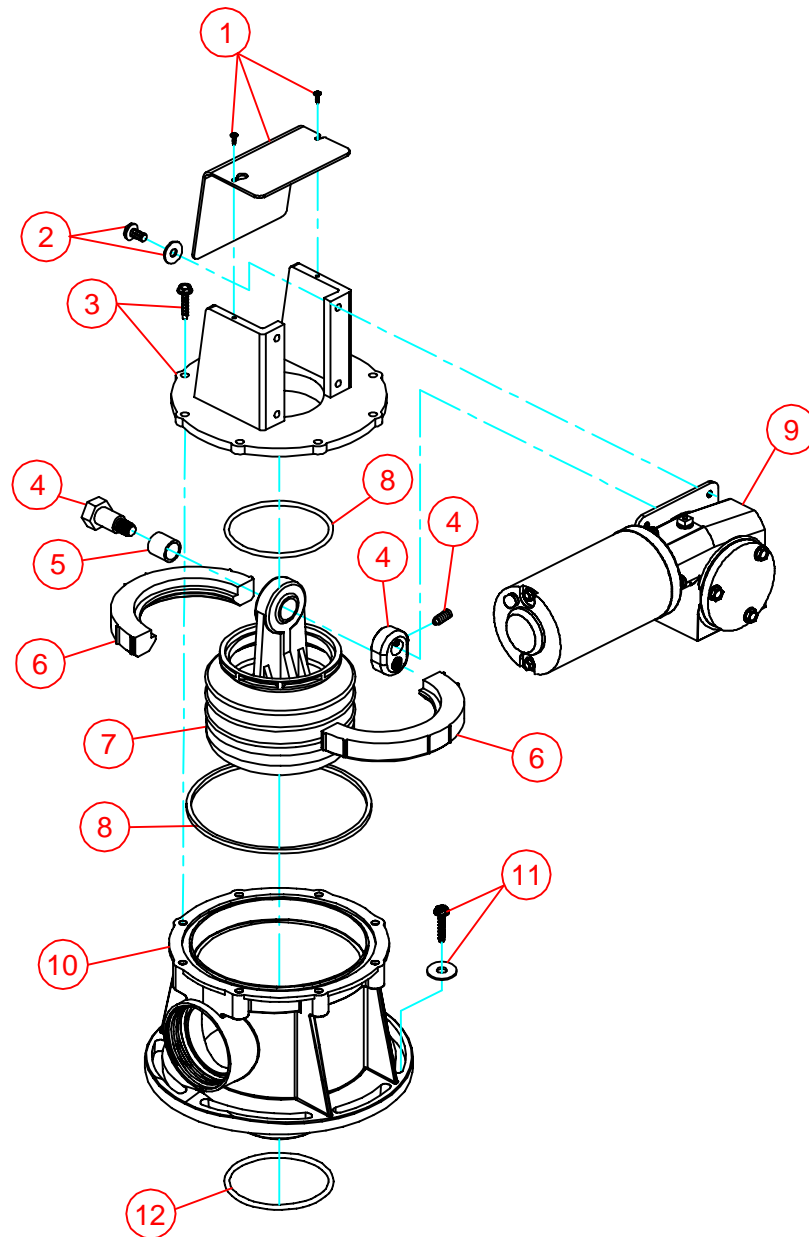


ITEM	PART NO.	DESCRIPTION
1	385311212	SWIVEL NUT 1-1/2"
2	385311211	HOSE FITTING - STRAIGHT (INCLUDES ITEM 1 & 3)
3	385311238	O'RING FITTINGS
4	385311210	2" TRANSITION FITTING TO 1-1/2"
5	385311208	2" DUCKBILL REPLACEMENT KT (INCLUDES 2ea.)
6	385311209	2" VALVE ADAPTER
7	385311229	JQ-PUMP REPLACEMENT 12V
	385311230	JQ-PUMP REPLACEMENT 24V
8	385311220	J-PUMP MOUNTING HARDWARE
9	385311213	O'RING
10	385311214	2" DUCKBILL VALVE COLLAR
11	385311215	VACUUM SWITCH COVER
12	385311216	VACUUM SWITCH ASSY (INCLUDES ITEM 11)
13	385311217	TANK ASSEMBLY
14	385311218	HOSE FITTING - ELBOW (INCLUDES ITEM 1 & 3)
N/S	385311219	TANK SEAL (NOT SHOWN)



Dometic Corporation - Sanitation Systems
13128 State Rt. 226, P.O. Box 38
Big Prairie, OH 44611-0038 USA
Telephone: 330-496-3211
Fax: 330-496-3097
Email: sealand@dometicusa.com

PARTS LIST: VG4 JQ12 & VG4 JQ24 (317780112 & 317780024) PUMP DETAIL



ITEM	PART NO.	DESCRIPTION
1	385311231	JQ-PUMP COVER
2	385311224	MOTOR MOUNTING HARDWARE
3	385311225	TOP CLOSURE w/MOUNTING SCREWS
4	385310644	KIT, ECCENTRIC/SCREW-S/T/J PUMP
5	385310242	BELLOWS BUSHING
6	385311226	BELLOWS CLAMP KIT
7	385230980	BELLOWS ASSY (INCLUDES ITEM 5)
8	385310151	O'RING REPLACEMENT KIT
9	385311065	Q-SERIES MOTOR REPLACEMENT 12V
	385311066	Q-SERIES MOTOR REPLACEMENT 24V
10	385311227	J-PUMP BODY (INCLUDES ITEM 12)
11	385311220	J-PUMP MOUNTING HARDWARE
12	385311213	O'RING



Dometic Corporation - Sanitation Systems
13128 State Rt. 226, P.O. Box 38
Big Prairie, OH 44611-0038 USA
Telephone: 330-496-3211
Fax: 330-496-3097
Email: sealand@dometicus.com