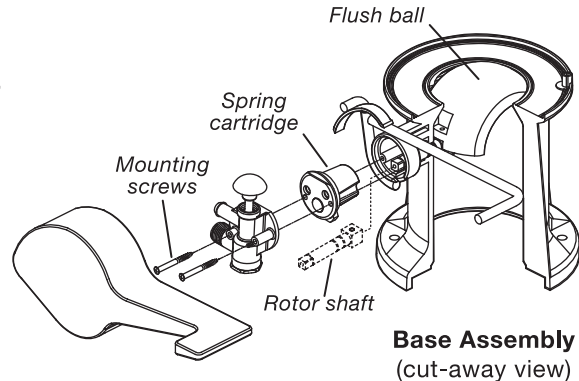


# SeaLand® Flush Ball and Shaft Installation

1. Turn off water supply.
2. Press flush pedal and drain water from toilet bowl.
3. Remove pedal and pedestal covers (if applicable to toilet model).
4. Remove stainless steel band and plastic half clamps that hold ceramic bowl and plastic base together. Inspect clamps for cracks or warpage. Replace if necessary.
5. Tilt ceramic bowl forward, grasp vacuum breaker attached to back of toilet, and pull it out of toilet. Carefully set toilet bowl aside.
6. Remove flush ball seal and bowl seal. Inspect flush ball for nicks, scratches or mineral build-up. Clean or replace if necessary. Put seals back into place.
7. Remove mounting screws and water valve. Dispose of old mounting screws.
8. Remove and dispose of spring cartridge assembly.
9. To remove rotor shaft, rotate flush ball 180°, remove phillips screw from top left-hand side of ball. Pull shaft out through top of base.
10. To remove flush ball, squeeze ball until pivot pin on right side releases from base. Lower ball into base, turn lengthwise, and remove.
11. Apply silicone grease to O-rings on new rotor shaft and insert into base.
12. Install new flush ball by reversing removal procedure.

13. Align shaft and ball, then insert phillips screw. Do not over-tighten.
14. Position flush ball in top center position. Hold flush lever in normal "up" position, and insert cartridge. Rotate flush ball slightly until rotor shaft slips into square hole of cartridge.
15. Install water valve with new mounting screws. **DO NOT OVERTIGHTEN.**
16. Put ceramic bowl back on base, aligning notch in bottom of bowl with pin on base (if applicable), and centering the bowl outlet over the flush ball. Reattach vacuum breaker to back of toilet, pushing it all the way into the rubber gasket.
17. Install new plastic half clamps, making sure tabs interlock on front of toilet. There will be a small gap at the rear of the toilet.
18. Install stainless steel band clamp – tighten to 65 in.-lbs. of torque.
19. Turn on water supply.
20. Reinstall pedestal and pedal covers.



 **Dometic** *SeaLand*

**Dometic Corporation**  
13128 State Rt 226  
PO Box 38  
Big Prairie, OH 44611

© Dometic Corporation 600344392