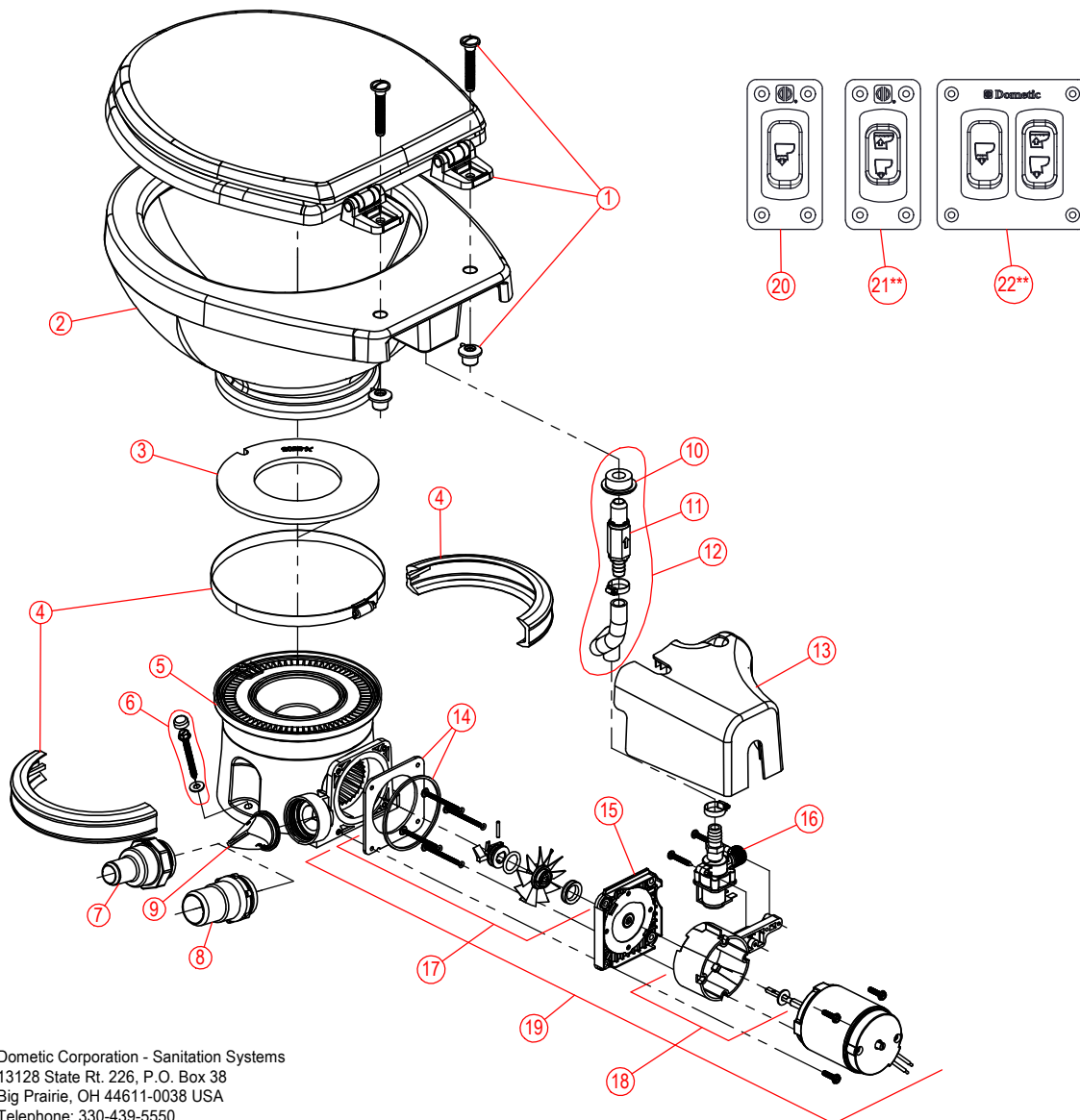


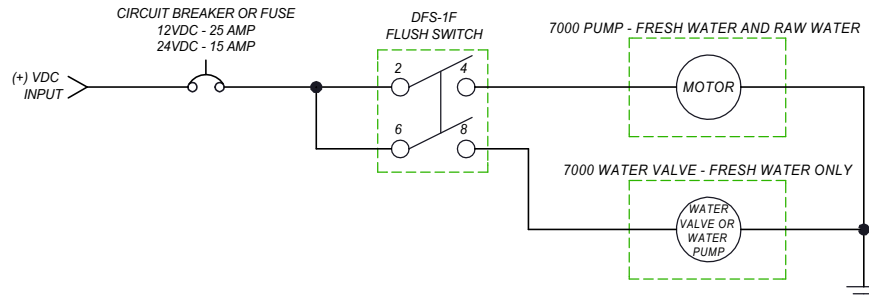
## PARTS LIST: ORBIT 7120 STANDARD VERSION



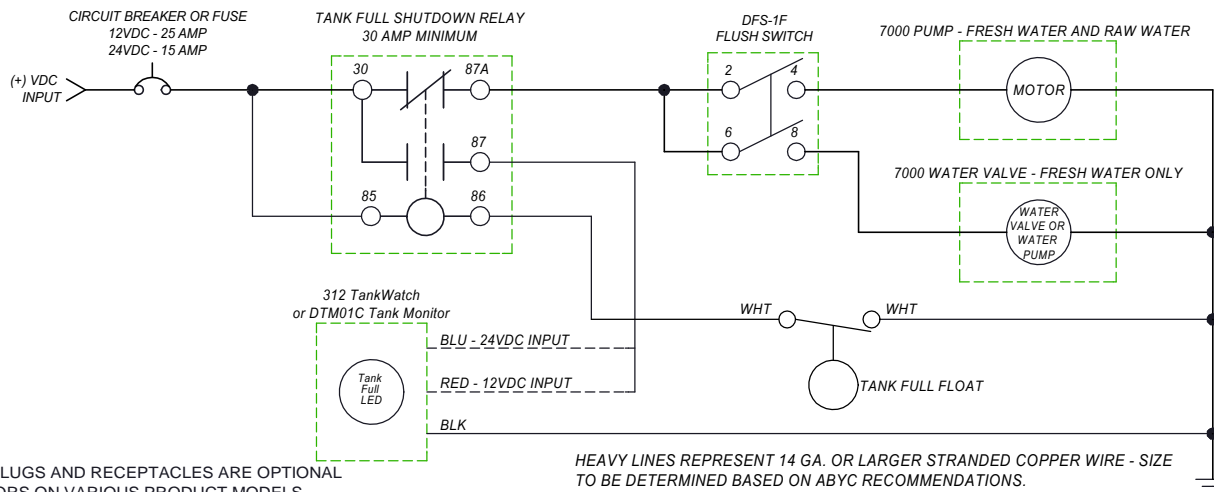
ITEM	PART NUMBER & DESCRIPTION
1	385343829 - SEAT/COVER - WHITE 385343831 - SEAT/COVER - BONE **Includes Mounting Hardware.
2	385311079 - BOWL KIT - WHITE 385311080 - BOWL KIT - BONE
3	385311979 - BOWL SEAL
4	385310025 - BOWL/BASE CLAMP KIT - WHITE 385310048 - BOWL/BASE CLAMP KIT - BONE
5	385311980 - BASE KIT - WHITE 385311981 - BASE KIT - BONE
6	385310679 - MOUNTING HARDWARE
7	385880072 - 1" VALVE ADAPTER
8	385311315 - 1-1/2" VALVE ADAPTER
9	385311620 - 1-1/2" CHECK VALVE
10	385311164 - 1/2" SEALING GROMMET
11	385311456 - BARBED CHECK VALVE REPLACEMENT **Includes Item 10.
12	385311984 - BOWL SUPPLY HOSE KIT - FRESH WATER **Includes Items 10; 11 & Clamps.
13	385311985 - 7000 SERIES PUMP/MOTOR COVER - WHITE 385311986 - 7000 SERIES PUMP/MOTOR COVER - BONE
14	385312033 - FLANGE GASKET REPLACEMENT KIT
15	38311987 - MOTOR MOUNTING PLATE **Includes all Pump Seals & Mounting Hardware.
16	385311851 - WATER VALVE KIT - 12vdc 385311852 - WATER VALVE KIT - 24vdc **Includes Mounting Screws & Clamps.
17	385311988 - MACERATOR BLADE REBUILD KIT **Includes Mounting Hardware.
18	385311992 - WATER VALVE MOUNTING SPACER KIT **Includes all Pump Seals.
19	385311995 - PUMP/MOTOR 12v REPLACEMENT-COMplete 385311996 - PUMP/MOTOR 24v REPLACEMENT-COMplete **Includes Items 14-17 & Clamps.
20	385311997 - DFS-1F FLUSH SWITCH PANEL **Includes Mounting Screws.
21**	385311998 - DFS-2F FLUSH SWITCH PANEL **Optional; Only Provided with 7120INT & 7220INT Models
22**	385311702 - DFST FLUSH SWITCH PANEL **Optional; not Provided with all Models.

## PARTS LIST: ORBIT 7120 STANDARD VERSION

### 7000 SERIES FRESH/RAW WATER WIRING DIAGRAM - WITHOUT TANK FULL RELAY



### 7000 SERIES FRESH/RAW WATER WIRING DIAGRAM - WITH TANK FULL RELAY



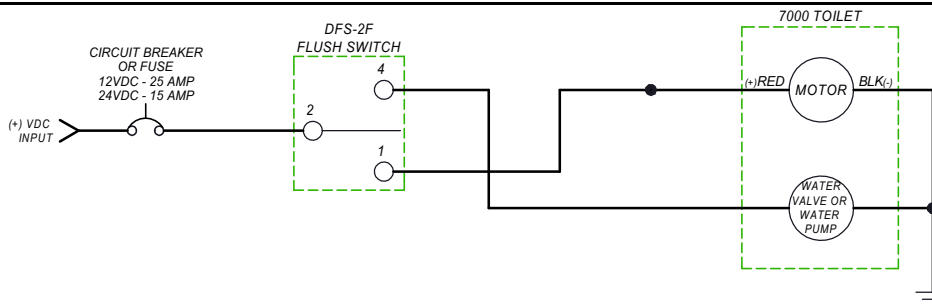
NOTE: DEUTSCH/AMP PLUGS AND RECEPTACLES ARE OPTIONAL ELECTRICAL CONNECTORS ON VARIOUS PRODUCT MODELS. YOUR INSTALLED MODEL MAY OR MAY NOT HAVE DEUTSCH/AMP ELECTRICAL CONNECTORS. OEM SUPPLIED WIRING CAN ALSO VARY IN COLOR.

HEAVY LINES REPRESENT 14 GA. OR LARGER STRANDED COPPER WIRE - SIZE TO BE DETERMINED BASED ON ABYC RECOMMENDATIONS.

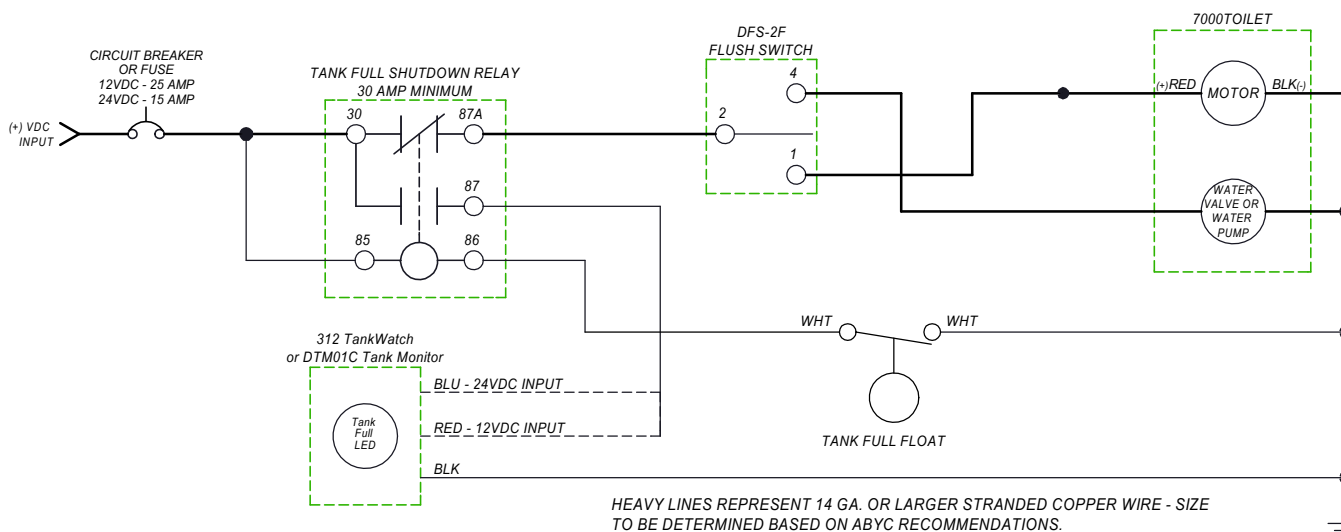
ALL OTHER WIRE CAN BE 18 GA. STRANDED COPPER.

## PARTS LIST: ORBIT 7120 STANDARD VERSION

### 7000 INT'L SERIES FRESH WATER WIRING DIAGRAM - WITHOUT TANK FULL RELAY



### 7000 INT'L SERIES FRESH WATER WIRING DIAGRAM - WITH TANK FULL RELAY



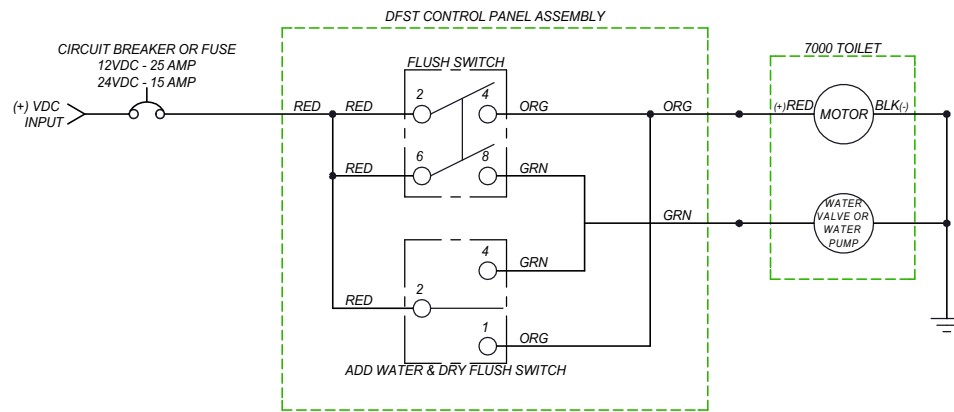
HEAVY LINES REPRESENT 14 GA. OR LARGER STRANDED COPPER WIRE - SIZE TO BE DETERMINED BASED ON ABYC RECOMMENDATIONS.

ALL OTHER WIRE CAN BE 18 GA. STRANDED COPPER.

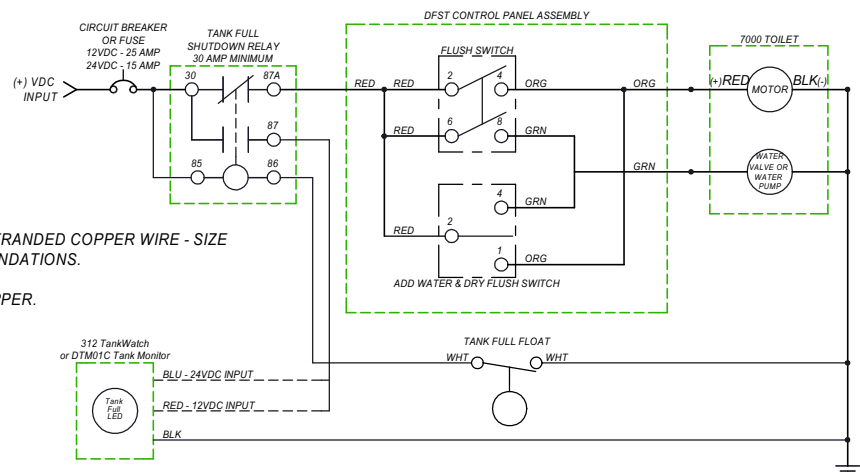
NOTE: DEUTSCH/AMP PLUGS AND RECEPTACLES ARE OPTIONAL ELECTRICAL CONNECTORS ON VARIOUS PRODUCT MODELS. YOUR INSTALLED MODEL MAY OR MAY NOT HAVE DEUTSCH/AMP ELECTRICAL CONNECTORS. OEM SUPPLIED WIRING CAN ALSO VARY IN COLOR.

## PARTS LIST: ORBIT 7120 STANDARD VERSION

### 7000 SERIES FRESH WATER WIRING DIAGRAM - WITHOUT TANK FULL RELAY



### 7000 SERIES FRESH WATER WIRING DIAGRAM - WITH TANK FULL RELAY



HEAVY LINES REPRESENT 14 GA. OR LARGER STRANDED COPPER WIRE - SIZE TO BE DETERMINED BASED ON ABYC RECOMMENDATIONS.

ALL OTHER WIRE CAN BE 18 GA. STRANDED COPPER.

NOTE:  
DEUTSCH/AMP PLUGS AND RECEPTACLES ARE OPTIONAL ELECTRICAL CONNECTORS ON VARIOUS PRODUCT MODELS. YOUR INSTALLED MODEL MAY OR MAY NOT HAVE DEUTSCH/AMP ELECTRICAL CONNECTORS.  
OEM SUPPLIED WIRING CAN ALSO VARY IN COLOR.