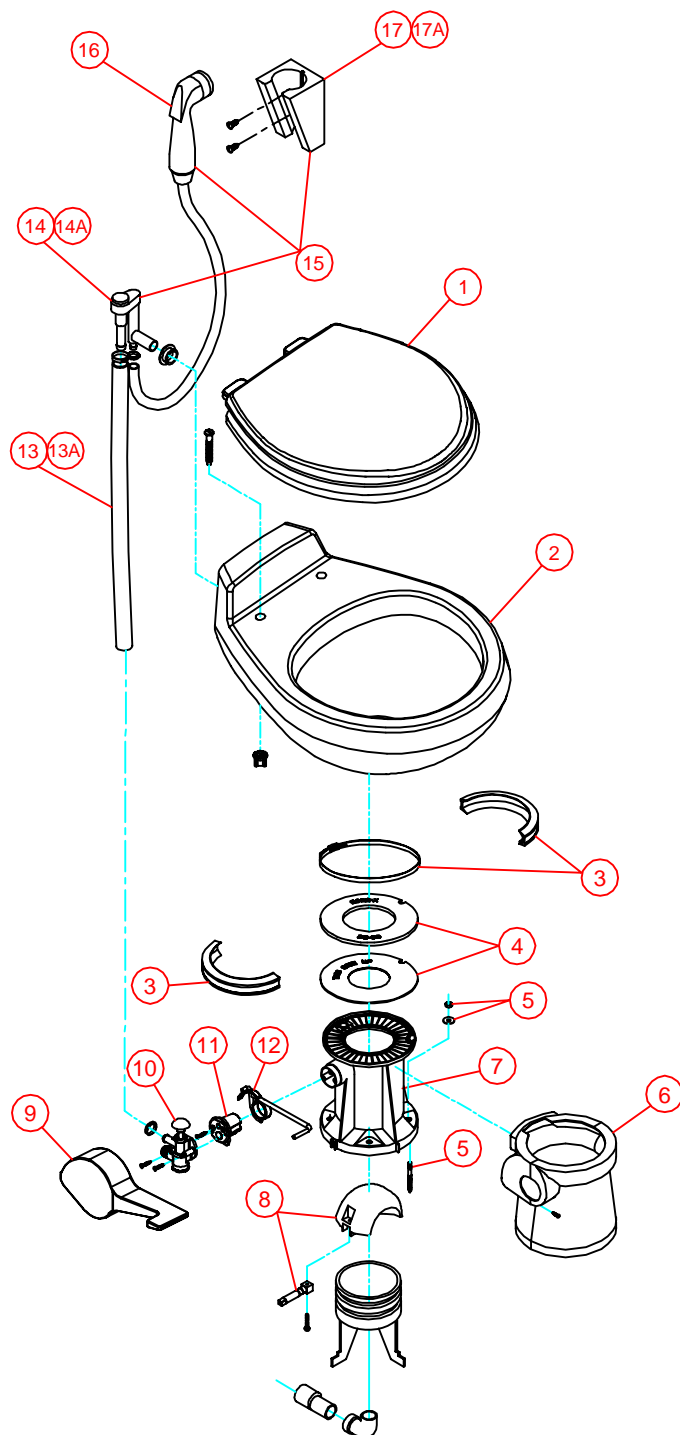


# PARTS LIST: 548+



ITEM	PART NO.	DESCRIPTION
1	385343830	SEAT ASSEMBLY, WHITE
	385343832	SEAT ASSEMBLY, BONE
	385343898	SEAT ASSEMBLY, PLATINUM
	385343902	SEAT ASSEMBLY, EBONY
	385343900	SEAT ASSEMBLY, TEAL
2	385310739	CHINA BOWL KIT, WHITE
	385310740	CHINA BOWL KIT, BONE
	385310741	CHINA BOWL KIT, PLATINUM
	385310742	CHINA BOWL KIT, EBONY
	385310743	CHINA BOWL KIT, TEAL
3	385310048	BAND AND HALF CLAMP, KIT
4	385310677	SEAL REPLACEMENT , KIT
5	385316323	MOUNTING HARDWARE
6	385310136	PEDESTAL COVER KIT , WHITE
	385310137	PEDESTAL COVER KIT , BONE
	385310138	PEDESTAL COVER KIT , PLATINUM
	385310174	PEDESTAL COVER KIT , EBONY
	385310223	PEDESTAL COVER KIT , TEAL
7	385310129	BASE KIT, WHITE (inc items 3-12)
	385310130	BASE KIT, BONE (inc items 3-12)
	385310131	BASE KIT, PLATINUM (inc items 3-12)
	385310172	BASE KIT, EBONY (inc items 3-12)
	385310218	BASE KIT, TEAL (inc items 3-12)
8	385318162	KIT,BALL,SHAFT & CART, WHITE(inc. item 11)
	385310177	KIT,BALL,SHAFT & CART, EBONY(inc. item 11)
	385310188	KIT,BALL,SHAFT & CART, TEAL(inc. item 11)
9	385310114	PEDAL COVER, WHITE
	385310115	PEDAL COVER, BONE
	385310116	PEDAL COVER, PLATINUM
	385310175	PEDAL COVER, EBONY
	385310193	PEDAL COVER, TEAL
10	385314349	WATER VALVE, KIT
11	385236096	SPRING CARTRIDGE, KIT
12	385310578	PEDAL, CARTRIDGE, KIT (inc. item 11)
13	600340177	HOSE, SUPPLY - BONE, EBONY, PLAT, TEAL
13A	600345377	HOSE, SUPPLY - WHITE
14	385316906	VACUUM BREAKER, KIT - WITHOUT SPRAY
14A	385230335	VACUUM BREAKER, KIT - WITH SPRAY
15	385319054	VACUUM BREAKER, SPRAY & BRACKET, KIT
16	600340683	HAND SPRAY, WHITE
16A	600341770	HAND SPRAY, EBONY
17	600340649	BRACKET, HAND SPRAY-WH,BONE,PLAT,TEAL
17A	600341773	BRACKET, HAND SPRAY EBONY



Dometic Corporation - Sanitation Systems  
13128 State Rt. 226, P.O. Box 38  
Big Prairie, OH 44611-0038 USA  
Telephone: 330-496-3211  
Fax: 330-496-3097  
Email: sealand@dometicusa.com