

# SaniSump Pump Parts List and Wiring Diagram 314115212

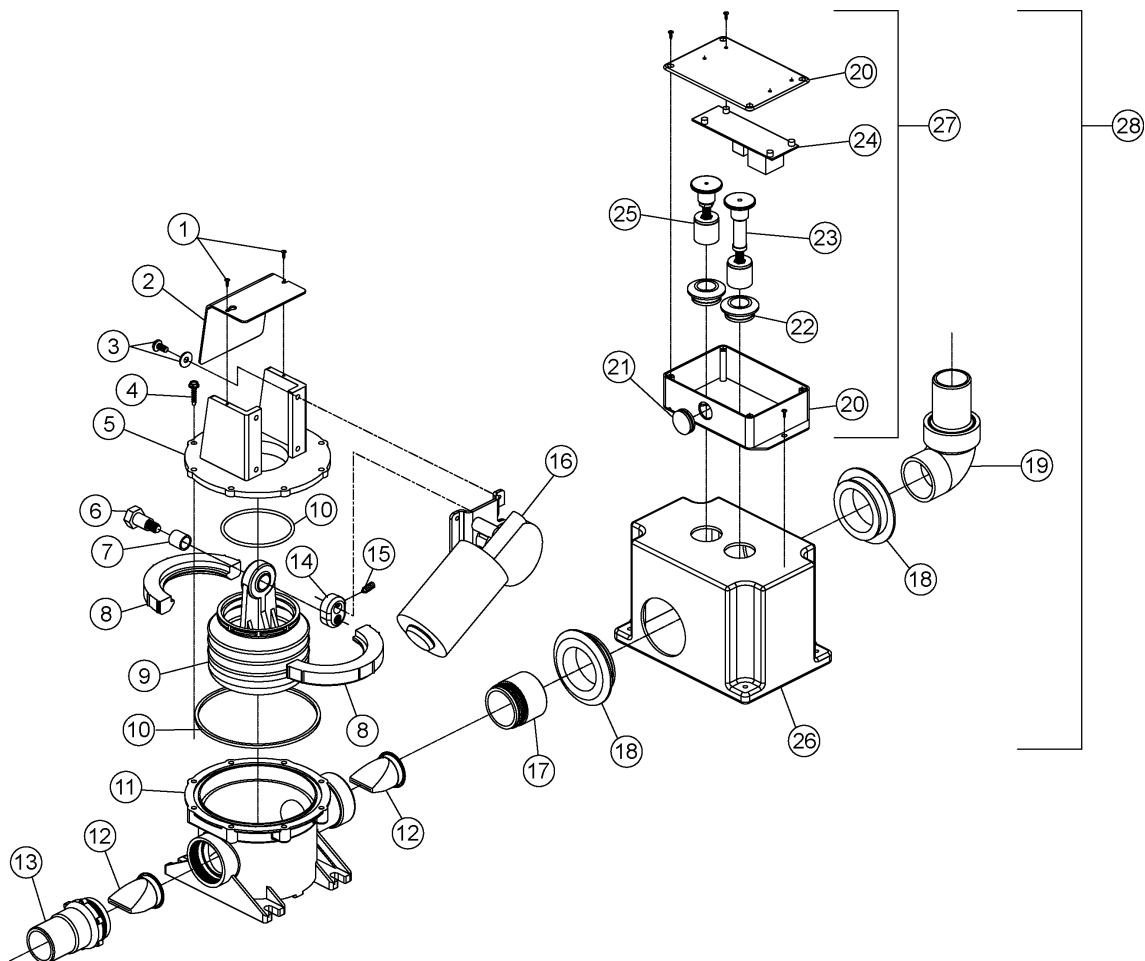


**Dometic Corporation • SeaLand**  
13128 State Rt. 226, P.O. Box 38  
Big Prairie, OH 44611-0038 USA  
330-496-3211  
1-800-321-9886 • Fax: 330-496-3097

## PARTS LIST

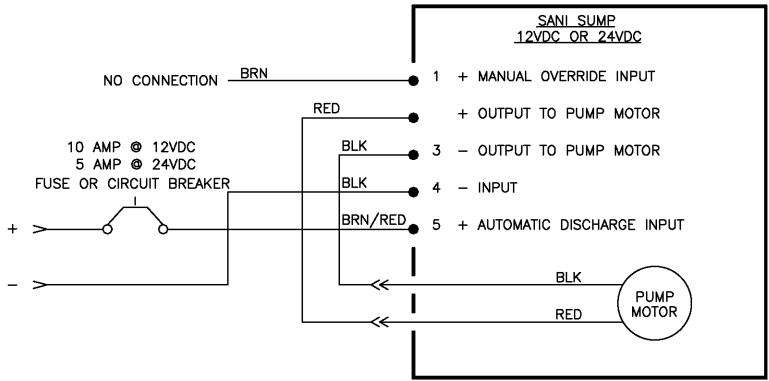
© Registered; ™ Trademark of Dometic Corporation  
© Dometic Corporation

Item	Part No.	Description	Item	Part No.	Description
1	600340237	Cover Screw, #4 x 3/8" Pan Hd SS	15	600347788	Set Screw, 1/4 -28 x 5/16", 1/2" Dog Point
2	385640239	Pump Cover	16	385310245	Motor Kit, 12VDC
3	600342332	Hex Head Screw, #10-32 x 1/2" SS	17	388640335	Pump Inlet Fitting
4	600341503	Hex Washer Head Screw, #10-12 x 7/8" SS	18	600342932	1 1/2" Sealing Grommet
5	600341502	Top Closure	19	385310885	Inlet Elbow Assembly
6	600343006	Hex Head Shoulder Screw, 1/2" x .687 x 3/8"-16	20	385310650	SaniSump Enclosure (incl. item 24)
7	600340664	Bushing, Bellows	21	600343618	Grommet, Wiring, 10-14 ga.
8	600347807	Bellows Clamp	22	600342932	1/2" Sealing Grommet
9	385230980	Bellows Assembly	23	385310582	Empty Level Indicator (incl. item 23)
10	385310151	O-Ring Replacement Kit	24	385310659	Circuit Board Assembly, 12 VDC
11	600341489	Pump Body	25	313900101	Full Float Indicator (incl. item 25)
12	385347802	1/2" Duckbill Valve (2)	26	385310734	SaniSump Tank, Machined (tank only)
13	600340669	Valve Nipple	27	385310881	SaniSump Control Box with Floats, 12 VDC
14	600344470	Eccentric	28	385310735	SaniSump Tank Assembly w/o Pump, 12 VDC



# WIRING DIAGRAMS

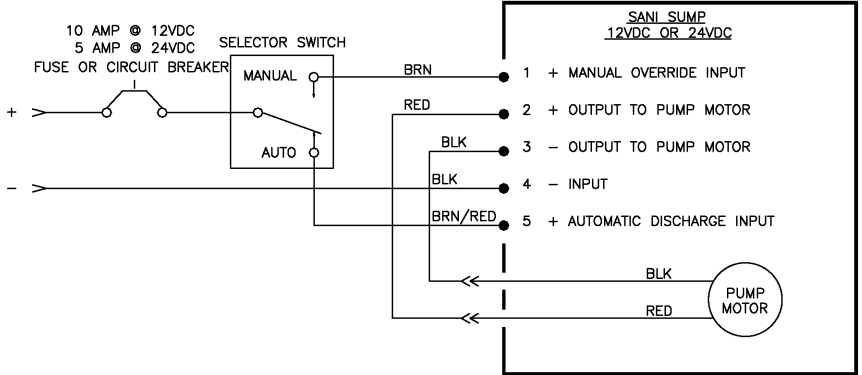
WIRING DIAGRAM SHOWING AUTOMATIC DISCHARGE ONLY



**IMPORTANT: READ BEFORE INSTALLING SANI SUMP**

- USE 12 OR 14 GA STRANDED COPPER WIRE.
- CIRCUIT BREAKER IS NOT SUPPLIED BY SEALAND.
- OPTIONAL S.T.D.P. SELECTOR SWITCH NOT SUPPLIED BY SEALAND.
- CAUTION: REVERSE POLARITY WILL DAMAGE CIRCUIT BOARD.
- CAUTION: SANI SUMP IS NOT AN IMMERSIBLE PRODUCT. MOUNT IN AREA ABOVE MAXIMUM BILGE WATER LINE.
- OPTIONAL BONDING WIRE CAN BE CONNECTED TO ONE OF THE FOUR MOTOR BRACKET MOUNTING SCREWS.

WIRING DIAGRAM SHOWING OPTIONAL SELECTOR SWITCH FOR MANUAL AND AUTO DISCHARGE



**Dometic Corporation manufactures a complete line of sanitation products and systems. Write or call the factory to receive free literature on the following products:**

- VacuFlush® Toilet Systems
- SaniPottie® Portable Toilets
- SeaLand® brand Liquid and Dry Deodorant Products
- SeaLand® Environment-Friendly Holding Tank Deodorant
- SeaLand® brand Marine Toilet Tissue
- SeaLand® Toilet Bowl and Seal Cleaner
- Tough Tank® Holding Tanks
- SeaLand® Holding Tank Vent Filter
- OdorSafe® Sanitation Hose and Fittings
- TankWatch® Holding Tank Level Monitors