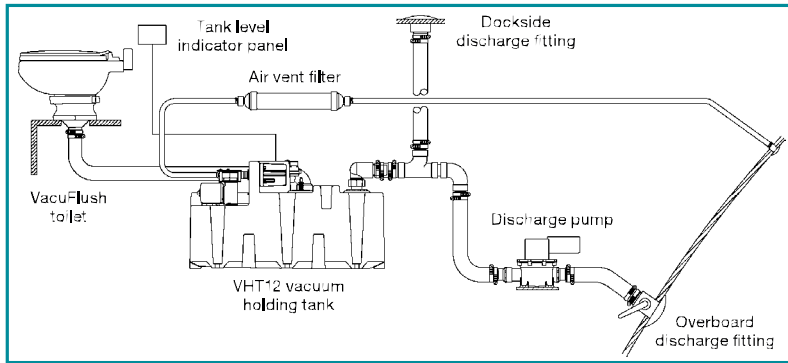


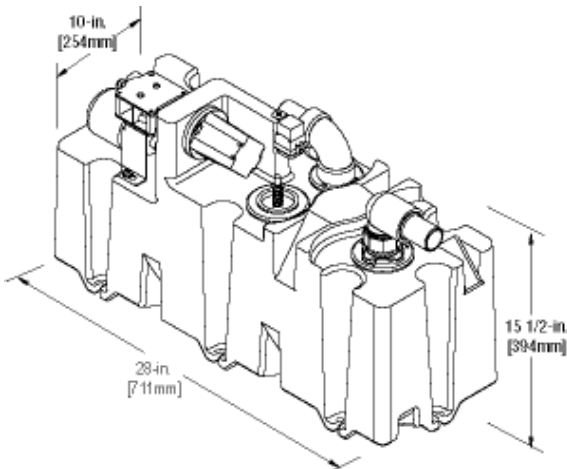
VHT12 Vacuum Holding Tank

6.5-gal (25 l) VHT waste capacity holds as many flushes as a 7-gal. (64 l) tank with standard marine toilet

- Corrosion-proof, leak-proof, odor-proof – high-density polyethylene construction
- Includes “full tank” level sensor (standard): VHT12 with “3/4 full” sensor option available
- Auto “full tank” shutdown to toilet system prevents tank overfill
- Easy to plumb and install – no solvent-bond connection required



Dimensions



VHT12 System Requirements

Power draw (avg.)	3 amps/12 V DC
Circuit breaker/fuse	5 amps/12 V DC
ID	1.5 in./38 mm sanitation hose or PVC pipe
Horizontal run	20 ft./6.1 m max. from toilet discharge
Vertical run	3 ft./0.9 m max. from toilet discharge
ID	1.5 in./38 mm sanitation hose or PVC pipe
ID	5/8 in./16 mm sanitation hose
	VacuFlush toilet †

† Purchased separately.
Specifications subject to change without notice.

VHT12 Technical Specifications

VHT12	6.5-gal./25-liter vacuum holding tank with “full tank” sensor	26.5 lbs./12 kg	81 lbs./37 kg
-------	---	-----------------	---------------

For models with “3/4 full” tank sensor, contact factory.
Specifications subject to change without notice.

DOMETIC CORPORATION, SANITATION DIVISION

13128 SR 226, PO Box 38 | Big Prairie, OH 44611 USA | 330-496-3211 | Fax 330-496-3097
www.dometic.com | SeaLand@DometicUSA.com

